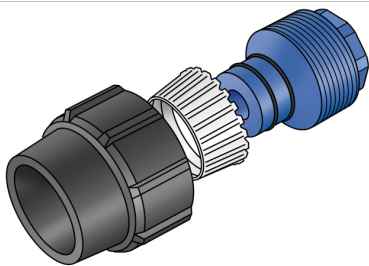


# KELOX

## KM260 KELOX screw fitting with female thread for pressure testing O-Ring 75

7624751

### Areas of application



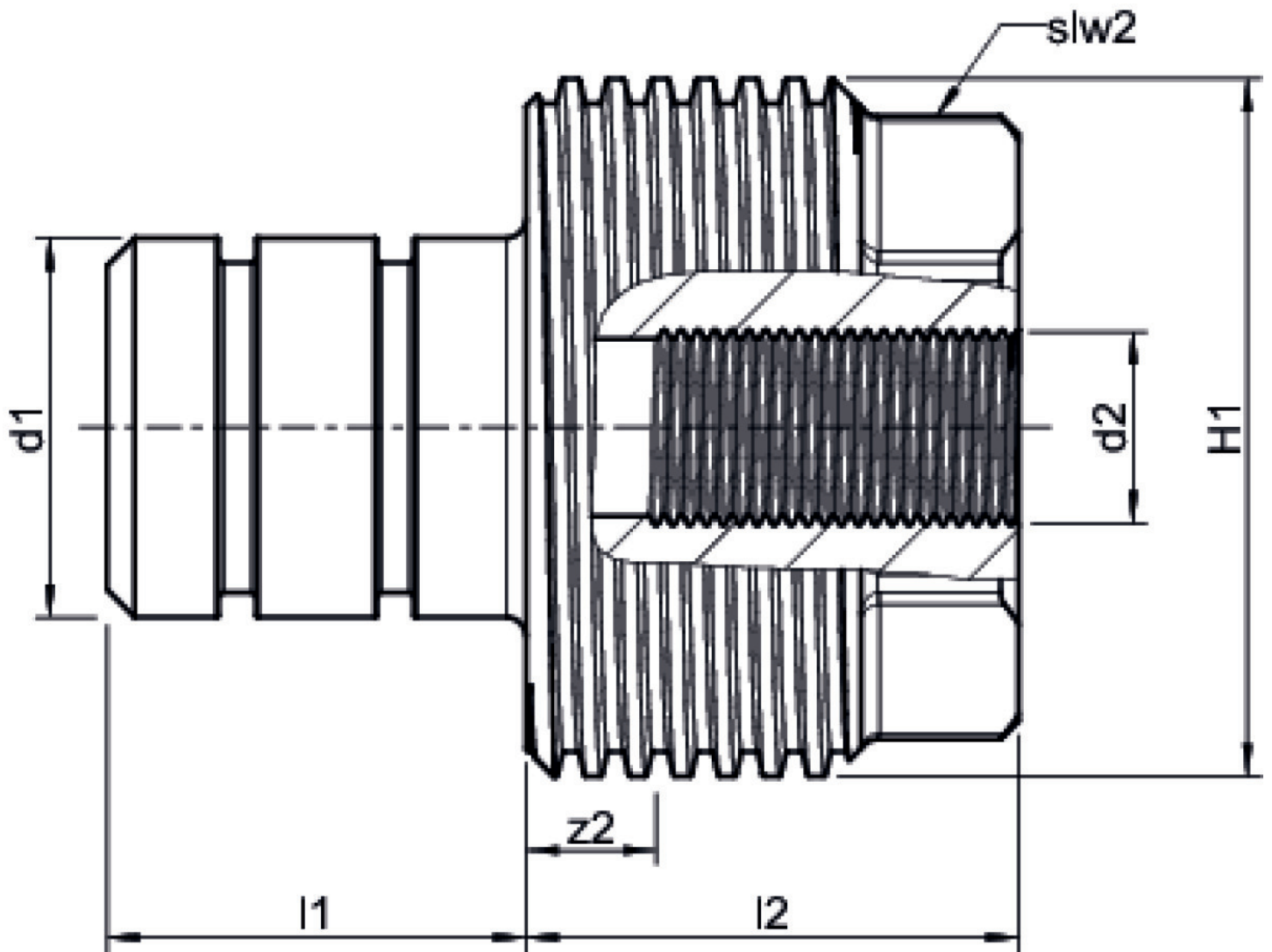
Re-usable union with female thread for pressure testing KELOX multilayer pipes

After removing the screw fitting, cut off the pipe end!

NOT suitable for continuous use!

# Specifications

Product information	
VPE1	10 SA1
VPE2	300 KT1
weight	0,002 KGM
text	KELOX screw fitting with female thread for pressure testing
INTRNR	74122000
main material group	KELOX
material group	KELOX accessories
code	KM260



Art. No

label

7624751

O-Ring 75