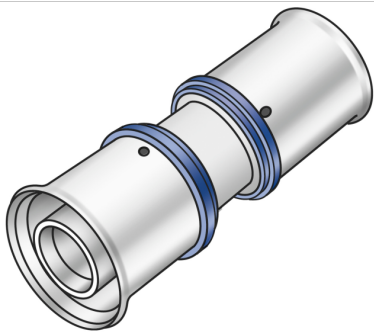


# KELOX

## KMU410 KELOX-ULTRAX coupling 32/32

71100FF0

### Areas of application



Press coupling equal or reduced, made of non-porous metallized brass, incl. support sleeves with O-rings and steel or stainless steel press-fit sleeves, "leak before pressed"

### Approvals:



# Specifications

## Article information

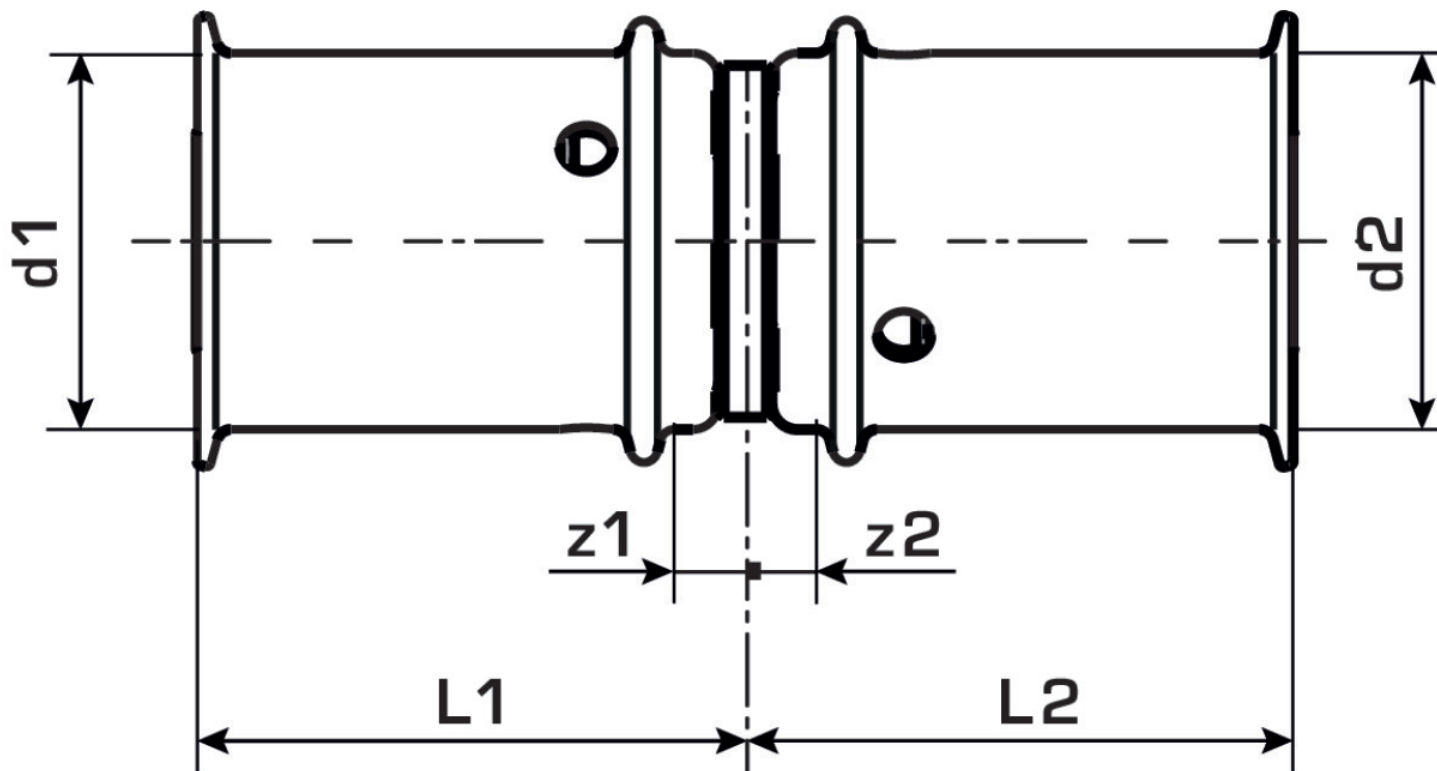
port 1	Pressing socket
port 2	Pressing socket
execution	1-part
design	Straight
press contour	U

## Technical properties

maximum working pressure at 20 ° C	10
------------------------------------	----

## Product information

VPE1	10 SA1
VPE2	60 KT1
weight	0,17 KGM
text	KELOX-ULTRAX coupling
INTRNR	74122000
main material group	KELOX
material group	KELOX-ULTRAX metal fittings
code	KMU410



Art. No	label	d1 mm	d2 mm	L1	L2	z1 mm	z2 mm
71100FF0	32/32	32	32	36	36	2	2