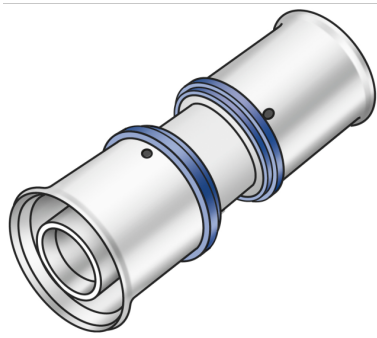


KELOX

KMU410 KELOX-ULTRAX coupling 75/40

71100JG0

Areas of application



Press coupling equal or reduced, made of non-porous metallized brass, incl. support sleeves with O-rings and steel or stainless steel press-fit sleeves, "leak before pressed"

Approvals:



Specifications

Article information

port 1	Pressing socket
port 2	Pressing socket
execution	1-part
design	Straight
press contour	U

Technical properties

maximum working pressure at 20 ° C	10
------------------------------------	----

Product information

VPE1	1 SA1
VPE2	2 KT1
weight	1,21 KGM
text	KELOX-ULTRAX coupling
INTRNR	74122000
main material group	KELOX
material group	KELOX-ULTRAX metal fittings
code	KMU410



Art. No	label	d1	d2	L1 mm	L2 mm	z1 mm	z2 mm
71100JG0	75/40	75	40	81	55	17	14