

KELOX

KMU420 ?KELOX-ULTRAX elbow 90° 20

71103DD0

Areas of application



Press elbow adapter 90° for changing direction with a minimal radius, made of non-porous metallised brass, incl. support sleeves with O-rings and stainless steel press-fit sleeve, "leak before pressed"

Approvals:



KE KELIT GmbH

A 4020 Linz, Ignaz-Mayer-Straße 17, Austria, Europe

PHONE +43 (0) 50 779 E-MAIL office@kekelit.com

www.kekelit.com

Specifications

Article information

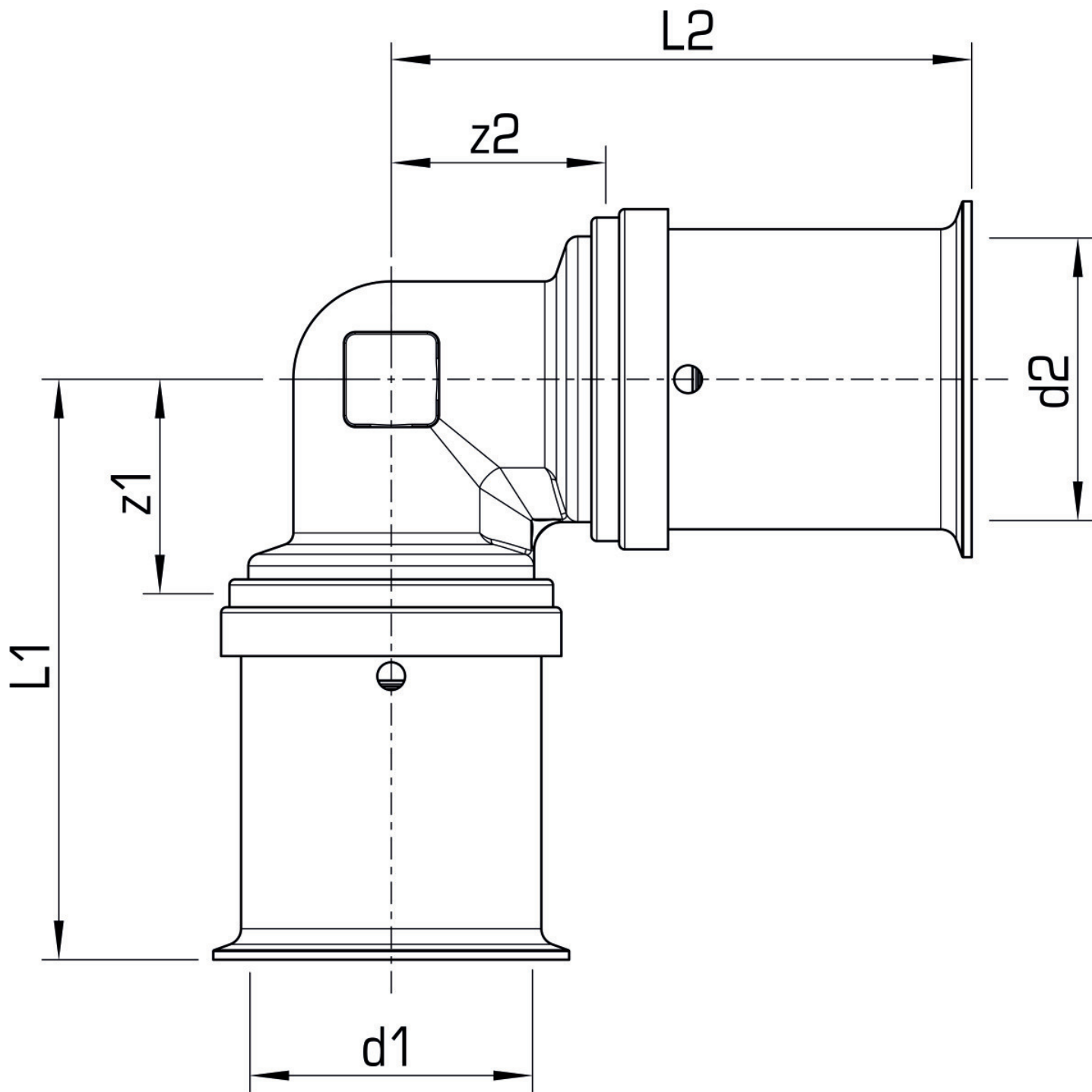
port 1	Pressing socket
port 2	Pressing socket
execution	1-part
design	Knee
angle	90 °
press contour	U

Technical properties

maximum working pressure at 20 ° C	10 bar
------------------------------------	--------

Product information

VPE1	10,00 SA1
VPE2	150,00 KT1
weight	0,095 KGM
text	?KELOX-ULTRAX elbow 90°
INTRNR	74122000
main material group	KELOX
material group	KELOX-ULTRAX metal fittings
code	KMU420



Art. No	label	d1 mm	d2 mm	L1 mm	L2 mm	z1 mm	z2 mm
71103DD0	20	20	20	40	40	14	14