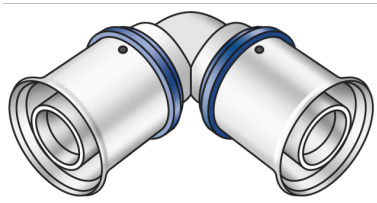


KELOX

KMU420 ?KELOX-ULTRAX elbow 90° 25

71103EE0

Areas of application



Press elbow adapter 90° for changing direction with a minimal radius, made of non-porous metallised brass, incl. support sleeves with O-rings and stainless steel press-fit sleeve, "leak before pressed"

Approvals:



Specifications

Article information

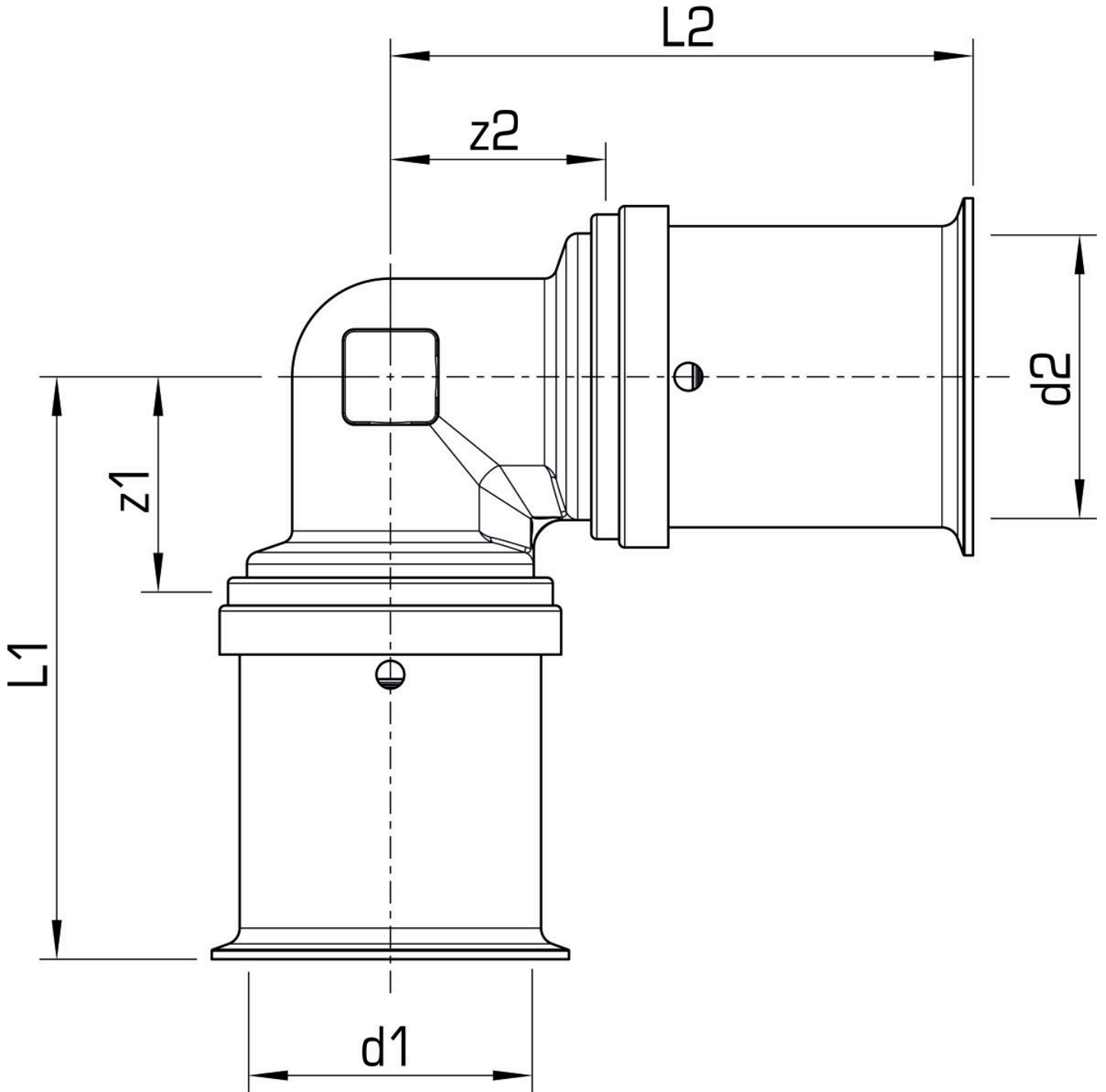
| | |
|---------------|-----------------|
| port 1 | Pressing socket |
| port 2 | Pressing socket |
| execution | 1-part |
| design | Knee |
| angle | 90 ° |
| press contour | U |

Technical properties

| | |
|------------------------------------|--------|
| maximum working pressure at 20 ° C | 10 bar |
|------------------------------------|--------|

Product information

| | |
|---------------------|-----------------------------|
| VPE1 | 10,00 SA1 |
| VPE2 | 80,00 KT1 |
| weight | 0,174 KGM |
| text | ?KELOX-ULTRAX elbow 90° |
| INTRNR | 74122000 |
| main material group | KELOX |
| material group | KELOX-ULTRAX metal fittings |
| code | KMU420 |



| Art. No | label | d1 mm | d2 mm | L1 mm | L2 mm | z1 mm | z2 mm |
|----------|-------|-------|-------|-------|-------|-------|-------|
| 71103EE0 | 25 | 25 | 25 | 51 | 51 | 18 | 18 |