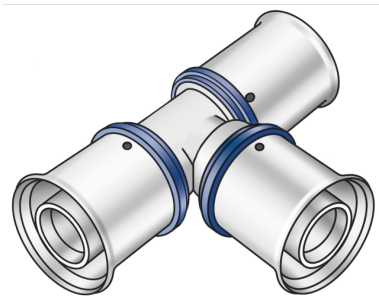


KELOX

KMU440 KELOX-ULTRAX tee 40/32/40

71110GFG

Areas of application



Press tee equal or reduced, made of non-porous metallized brass, incl. support sleeves with O-rings and steel or stainless steel press-fit sleeves, "leak before pressed"

Approvals:



Specifications

Article information

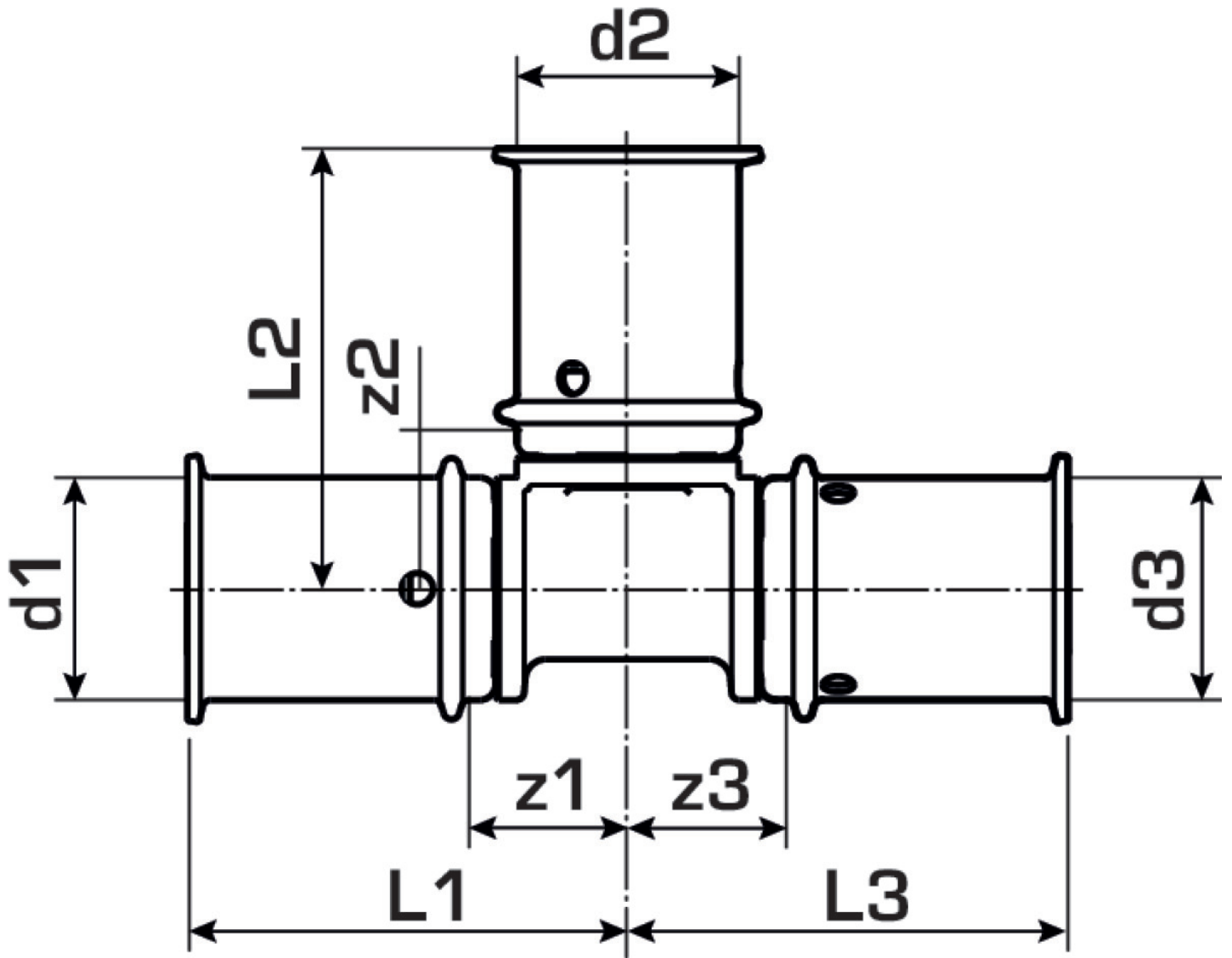
port 1	Pressing socket
port 2	Pressing socket
port 3	Pressing socket
execution	Tee piece
angle	90
press contour	U

Technical properties

maximum working pressure at 20 ° C	16 bar
------------------------------------	--------

Product information

VPE1	1 SA1
VPE2	8 KT1
weight	0,442 KGM
text	KELOX-ULTRAX tee
INTRNR	74122000
main material group	KELOX
material group	KELOX-ULTRAX metal fittings
code	KMU440



Art. No	label	d1	d2 mm	d3	L1	L2 mm	L3	z1	z2	z3
71110GFC	40/32/40	40	32	40	69	60	69	22	22	22