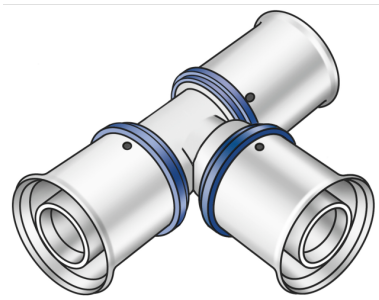


KELOX

KMU440 KELOX-ULTRAX tee 75/50/75

71110JHJ

Areas of application



Press tee equal or reduced, made of non-porous metallized brass, incl. support sleeves with O-rings and steel or stainless steel press-fit sleeves, "leak before pressed"

Approvals:



Specifications

Article information

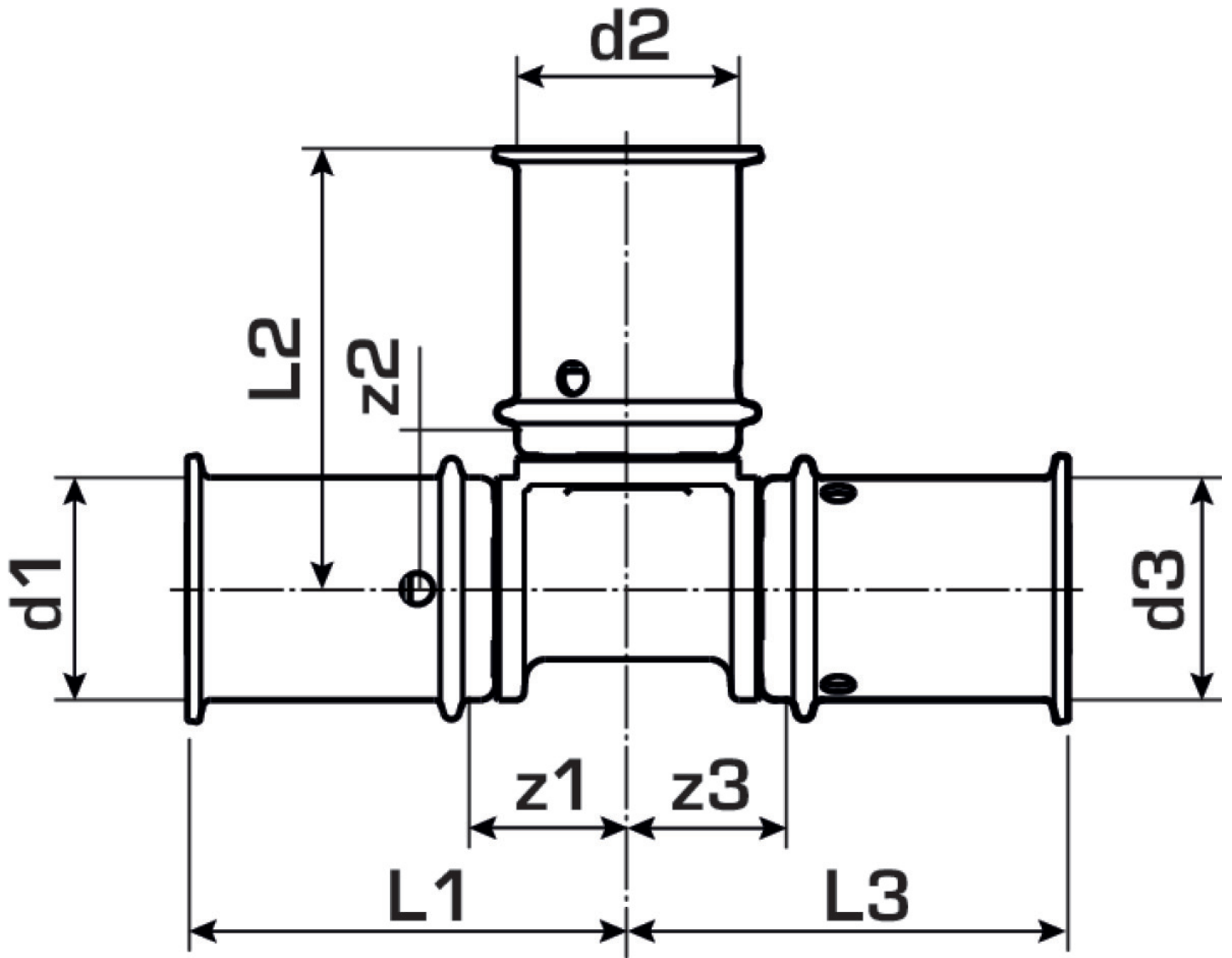
port 1	Pressing socket
port 2	Pressing socket
port 3	Pressing socket
execution	Tee piece
angle	90
press contour	U

Technical properties

maximum working pressure at 20 ° C	16 bar
------------------------------------	--------

Product information

VPE1	1 SA1
VPE2	2 KT1
weight	1,86 KGM
text	KELOX-ULTRAX tee
INTRNR	74122000
main material group	KELOX
material group	KELOX-ULTRAX metal fittings
code	KMU440



Art. No	label	d1	d2 mm	d3	L1 mm	L2 mm	L3 mm	z1 mm	z2 mm	z3 mm
71110JHJ	75/50/75	75	50	75	111	98	111	39	55	39