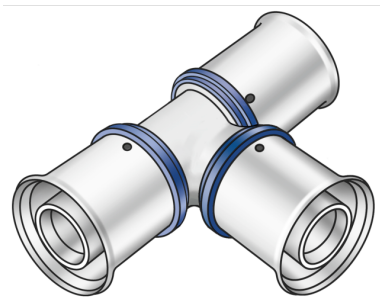


KELOX

KMU440Z ?KELOX-ULTRAX zeta tee piece 20/20/20

71111DDD

Areas of application



Zeta value-optimised press-fit tee piece, equal or reduced, made of non-porous metallized brass, incl. support sleeves with O-rings and steel or stainless steel press-fit sleeves, "leak before pressed"

Approvals:



Specifications

Article information

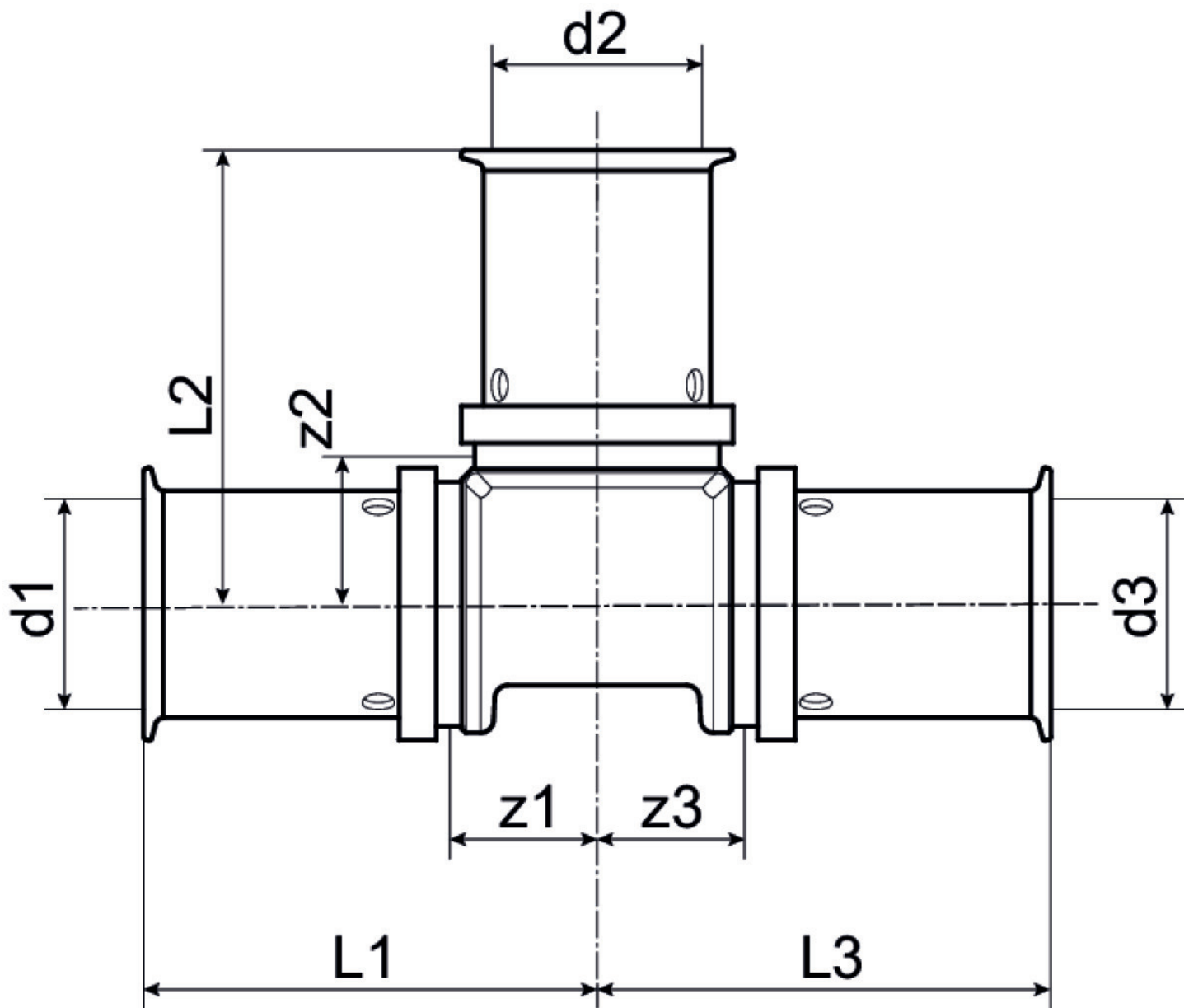
port 1	Pressing socket
port 2	Pressing socket
port 3	Pressing socket
execution	Tee piece
angle	90
press contour	U

Technical properties

maximum working pressure at 20 ° C	16 bar
------------------------------------	--------

Product information

VPE1	10 SA1
VPE2	100 KT1
weight	0,136 KGM
text	?KELOX-ULTRAX zeta tee piece
INTRNR	74122000
main material group	KELOX
material group	KELOX-ULTRAX metal fittings
code	KMU440Z



Art. No	label	d1 mm	d2 mm	d3 mm	L1	L2	L3	z1	z2	z3
71111DDI	20/20/20	20	20	20	40	40	40	14.5	14.5	14.5