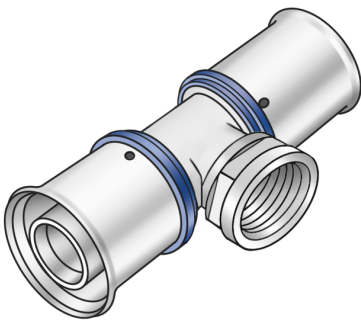


KELOX

KMU447 KELOX-ULTRAX adaptor tee female 16x1/2"

71240B02

Areas of application



Press-fit tee with female thread adaptor, made of non-porous metallized brass; including support sleeves with O-rings and steel or stainless steel press-fit sleeves; "leak before pressed"
DO NOT screw in any threaded pipes and cast iron fittings!

Approvals:



Specifications

Article information

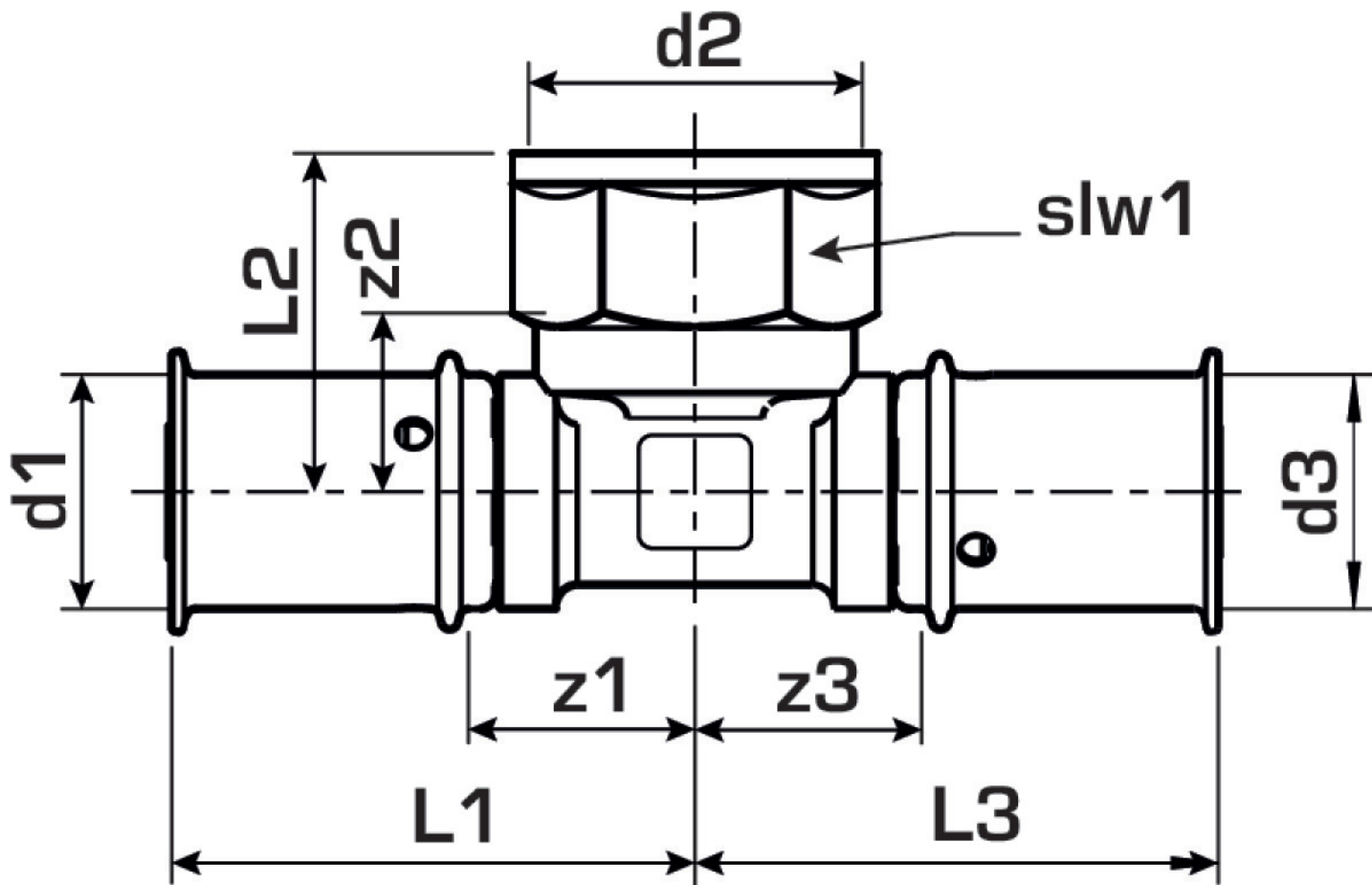
| | |
|---------------|-----------------|
| port 1 | Pressing socket |
| port 2 | Female thread |
| port 3 | Pressing socket |
| execution | Tee piece |
| angle | 90 |
| press contour | U |

Technical properties

| | |
|------------------------------------|--------|
| maximum working pressure at 20 ° C | 16 bar |
|------------------------------------|--------|

Product information

| | |
|---------------------|---------------------------------|
| VPE1 | 10 SA1 |
| VPE2 | 100 KT1 |
| weight | 0,103 KGM |
| text | KELOX-ULTRAX adaptor tee female |
| INTRNR | 74122000 |
| main material group | KELOX |
| material group | KELOX-ULTRAX metal fittings |
| code | KMU447 |



| Art. No | label | d2 Inches | d1 mm | d3 mm | L1 | L2 | L3 | z1 | z2 | z3 | slw1 |
|---------|---------|--------------|-------|-------|----|----|----|----|----|----|------|
| 71240B0 | 16x1/2" | 1/2" (15) | 16 | 16 | 40 | 27 | 40 | 17 | 14 | 17 | 24 |