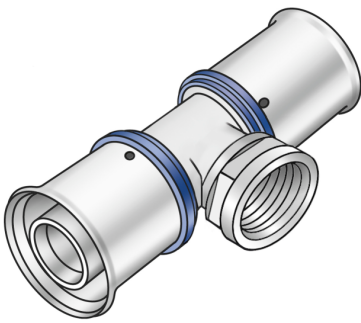


# KELOX

## KMU447 KELOX-ULTRAX adaptor tee female 25x1/2"

71240E02

### Areas of application



Press-fit tee with female thread adaptor, made of non-porous metallized brass; including support sleeves with O-rings and steel or stainless steel press-fit sleeves; "leak before pressed"  
DO NOT screw in any threaded pipes and cast iron fittings!

### Approvals:



KE KELIT GmbH

A 4020 Linz, Ignaz-Mayer-Straße 17, Austria, Europe

PHONE +43 (0) 50 779 E-MAIL [office@kekelit.com](mailto:office@kekelit.com)

[www.kekelit.com](http://www.kekelit.com)

# Specifications

## Article information

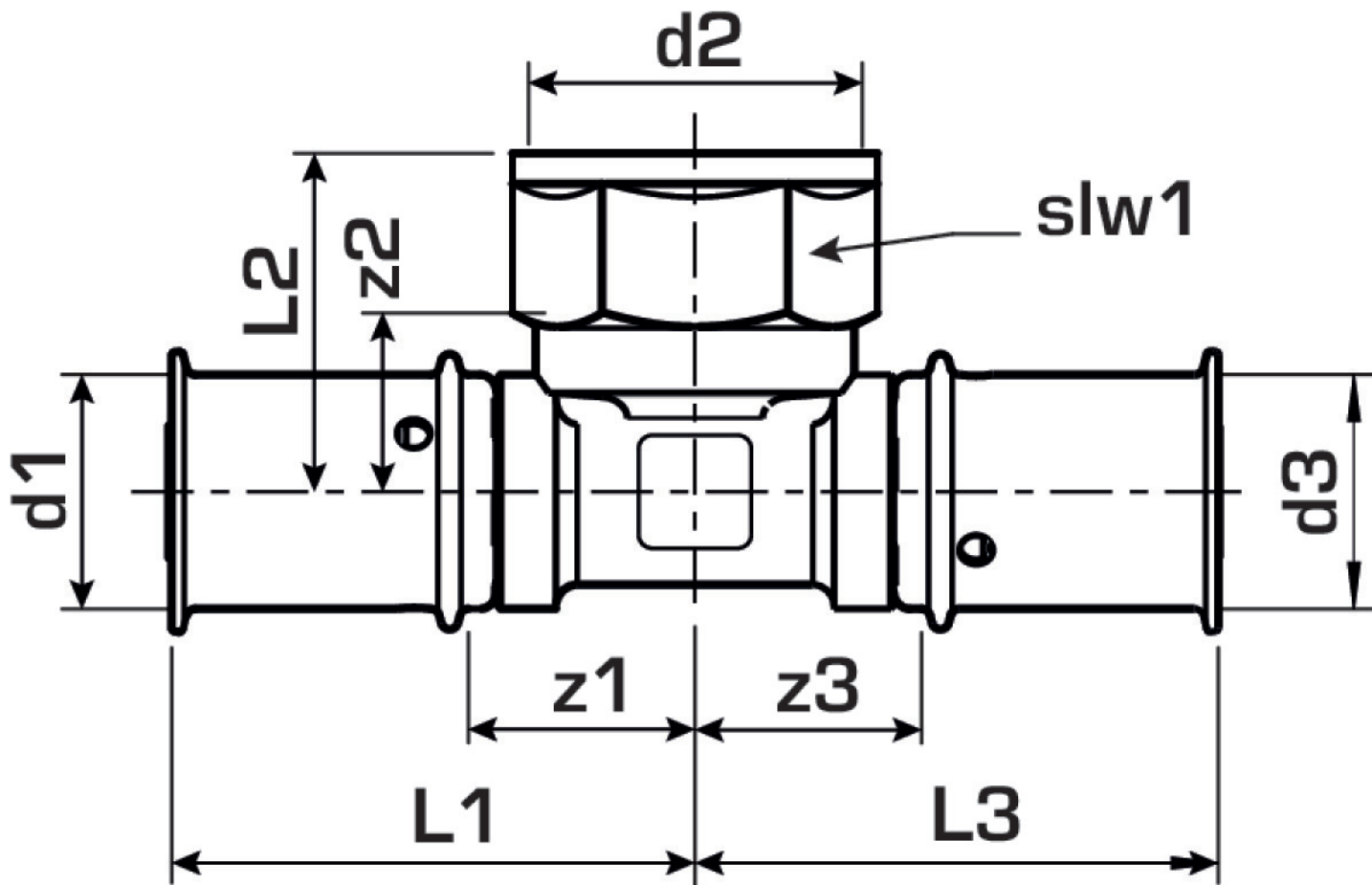
port 1	Pressing socket
port 2	Female thread
port 3	Pressing socket
execution	Tee piece
angle	90
press contour	U

## Technical properties

maximum working pressure at 20 ° C	16 bar
------------------------------------	--------

## Product information

VPE1	4 SA1
VPE2	48 KT1
weight	0,211 KGM
text	KELOX-ULTRAX adaptor tee female
INTRNR	74122000
main material group	KELOX
material group	KELOX-ULTRAX metal fittings
code	KMU447



Art. No	label	d2 Inches	d1 mm	d3 mm	L1	L2	L3	z1 mm	z2	z3 mm	slw1
71240E0	25x1/2"	1/2" (15)	25	25	49	31	49	16	18	16	24