

# KELOX

## KMU447 KELOX-ULTRAX adaptor tee female 32x3/4"

71240F04

### Areas of application



Press-fit tee with female thread adaptor, made of non-porous metallized brass; including support sleeves with O-rings and steel or stainless steel press-fit sleeves; "leak before pressed"  
DO NOT screw in any threaded pipes and cast iron fittings!

### Approvals:



KE KELIT GmbH

A 4020 Linz, Ignaz-Mayer-Straße 17, Austria, Europe

PHONE +43 (0) 50 779 E-MAIL [office@kekelit.com](mailto:office@kekelit.com)

[www.kekelit.com](http://www.kekelit.com)

# Specifications

## Article information

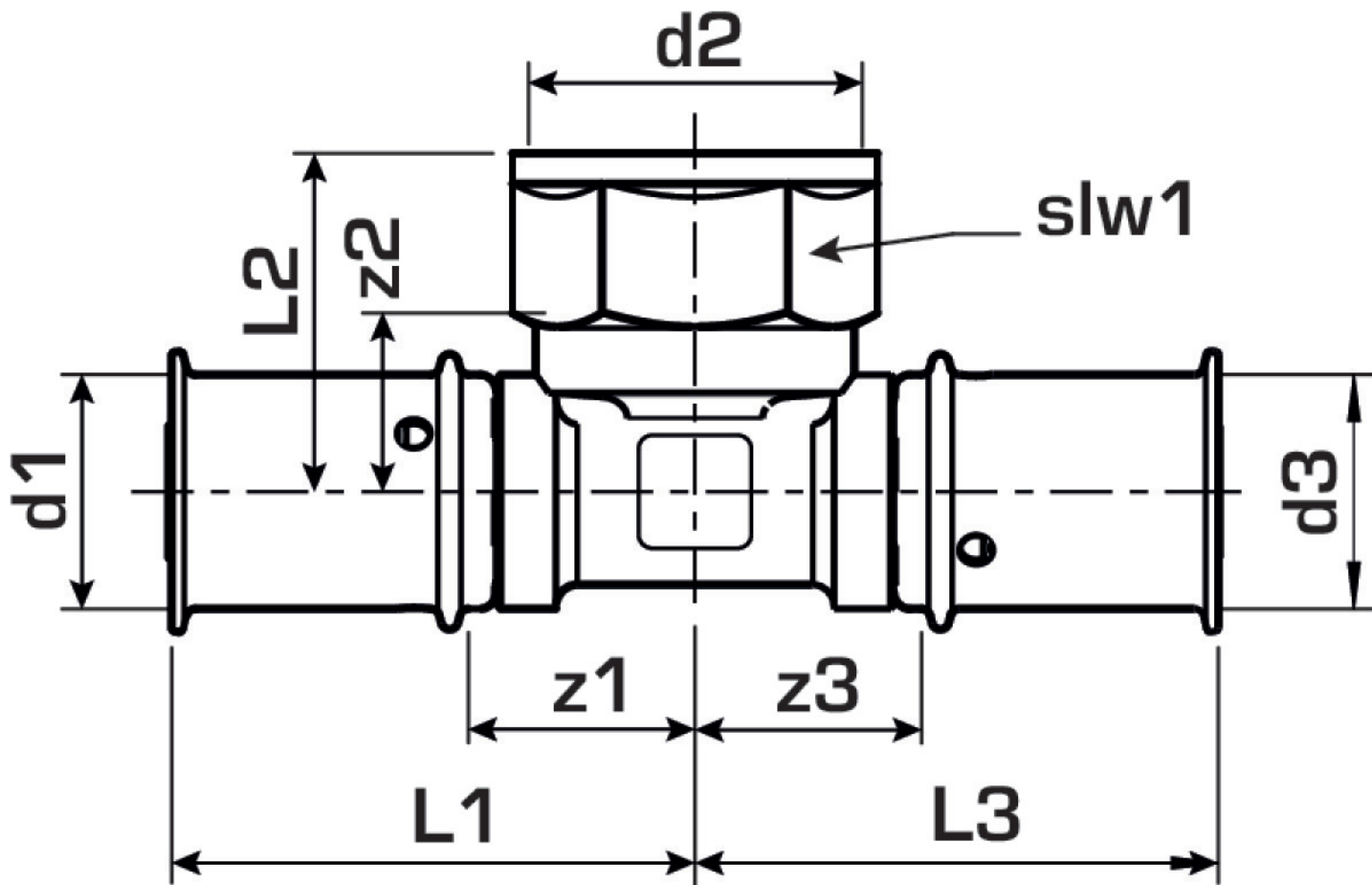
|               |                 |
|---------------|-----------------|
| port 1        | Pressing socket |
| port 2        | Female thread   |
| port 3        | Pressing socket |
| execution     | Tee piece       |
| angle         | 90              |
| press contour | U               |

## Technical properties

|                                    |        |
|------------------------------------|--------|
| maximum working pressure at 20 ° C | 16 bar |
|------------------------------------|--------|

## Product information

|                     |                                 |
|---------------------|---------------------------------|
| VPE1                | 4 SA1                           |
| VPE2                | 40 KT1                          |
| weight              | 0,291 KGM                       |
| text                | KELOX-ULTRAX adaptor tee female |
| INTRNR              | 74122000                        |
| main material group | KELOX                           |
| material group      | KELOX-ULTRAX metal fittings     |
| code                | KMU447                          |



| Art. No | label   | d2 Inches    | d1 mm | d3 mm | L1 | L2 | L3 | z1 | z2 | z3 | slw1 |
|---------|---------|--------------|-------|-------|----|----|----|----|----|----|------|
| 71240F0 | 32x3/4" | 3/4"<br>(20) | 32    | 32    | 64 | 37 | 64 | 19 | 22 | 19 | 30   |