

KELOX

KMU447 KELOX-ULTRAX adaptor tee female 40x3/4"

71240G04

Areas of application



Press-fit tee with female thread adaptor, made of non-porous metallized brass; including support sleeves with O-rings and steel or stainless steel press-fit sleeves; "leak before pressed"
DO NOT screw in any threaded pipes and cast iron fittings!

Approvals:



KE KELIT GmbH

A 4020 Linz, Ignaz-Mayer-Straße 17, Austria, Europe

PHONE +43 (0) 50 779 E-MAIL office@kekelit.com

www.kekelit.com

Specifications

Article information

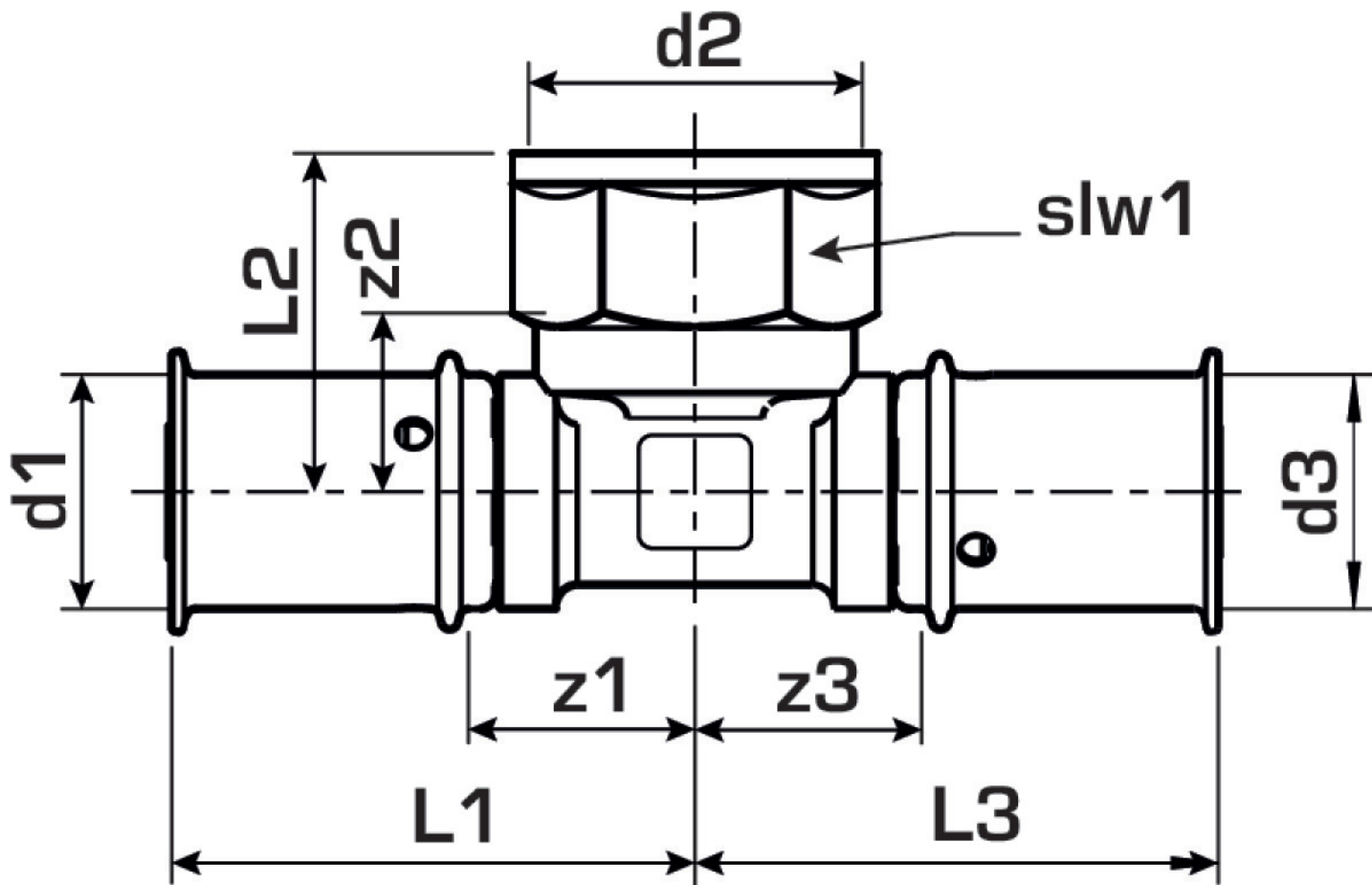
port 1	Pressing socket
port 2	Female thread
port 3	Pressing socket
execution	Tee piece
angle	90
press contour	U

Technical properties

maximum working pressure at 20 ° C	16 bar
------------------------------------	--------

Product information

VPE1	1 SA1
VPE2	8 KT1
weight	0,479 KGM
text	KELOX-ULTRAX adaptor tee female
INTRNR	74122000
main material group	KELOX
material group	KELOX-ULTRAX metal fittings
code	KMU447



Art. No	label	d2 Inches	d1	d3	L1	L2	L3	z1 mm	z2	z3 mm	slw1
71240G0	40x3/4"	3/4" (20)	40	40	70	37	70	25	22	25	30