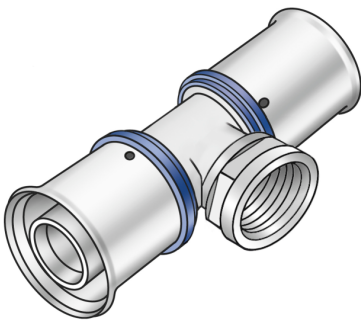


KELOX

KMU447 KELOX-ULTRAX adaptor tee female 40x1"

71240G05

Areas of application



Press-fit tee with female thread adaptor, made of non-porous metallized brass; including support sleeves with O-rings and steel or stainless steel press-fit sleeves; "leak before pressed"
DO NOT screw in any threaded pipes and cast iron fittings!

Approvals:



KE KELIT GmbH

A 4020 Linz, Ignaz-Mayer-Straße 17, Austria, Europe

PHONE +43 (0) 50 779 E-MAIL office@kekelit.com

www.kekelit.com

Specifications

Article information

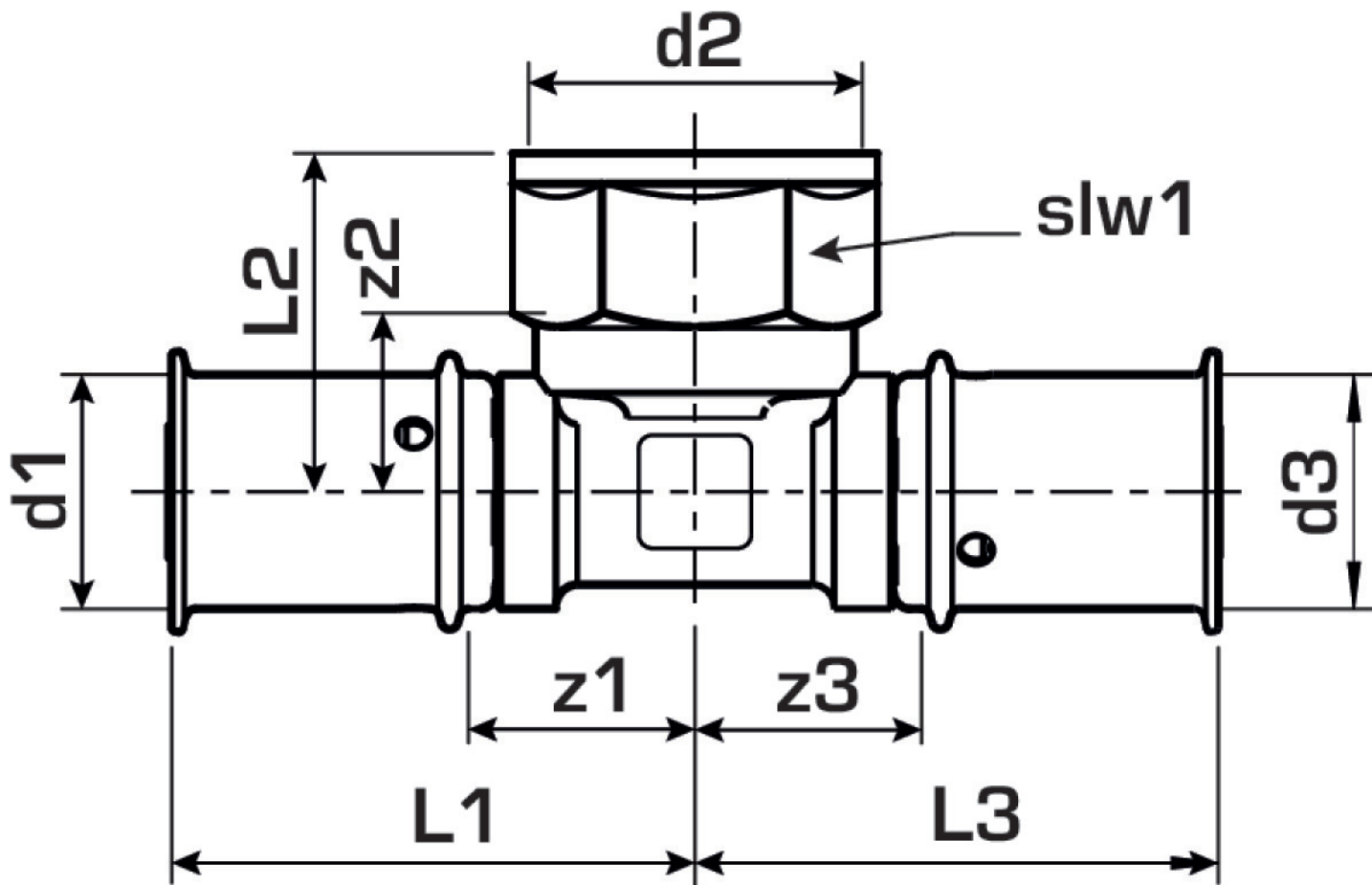
| | |
|---------------|-----------------|
| port 1 | Pressing socket |
| port 2 | Female thread |
| port 3 | Pressing socket |
| execution | Tee piece |
| angle | 90 |
| press contour | U |

Technical properties

| | |
|------------------------------------|--------|
| maximum working pressure at 20 ° C | 16 bar |
|------------------------------------|--------|

Product information

| | |
|---------------------|---------------------------------|
| VPE1 | 1 SA1 |
| VPE2 | 8 KT1 |
| weight | 0,479 KGM |
| text | KELOX-ULTRAX adaptor tee female |
| INTRNR | 74122000 |
| main material group | KELOX |
| material group | KELOX-ULTRAX metal fittings |
| code | KMU447 |



| Art. No | label | d2 Inches | d1 | d3 | L1 | L2 | L3 | z1 | z2 | z3 | slw1 |
|---------|-------|-----------|----|----|----|----|----|----|------|----|------|
| 71240G0 | 40x1" | 1" (25) | 40 | 40 | 70 | 41 | 70 | 24 | 25.5 | 24 | 41 |