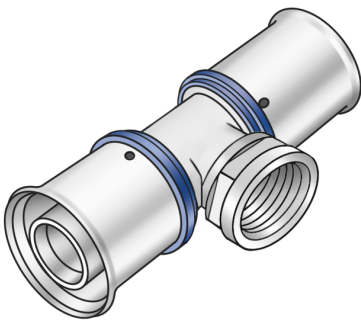


# KELOX

## KMU447 KELOX-ULTRAX adapter tee female 63x1"

71240I05

### Areas of application



Press tee with female thread adapter, made of non-porous metallised brass; including support sleeves with O-rings and stainless steel press-fit sleeves; "leak before pressed"  
DO NOT screw in any threaded pipes and cast iron fittings!

### Approvals:



# Specifications

## Article information

port 1	Pressing socket
port 2	Female thread
port 3	Pressing socket
execution	Tee piece
angle	90 °
press contour	U

## Technical properties

maximum working pressure at 20 ° C	16 bar
------------------------------------	--------

## Product information

VPE1	1,00 SA1
VPE2	6,00 KT1
weight	1,446 KGM
text	KELOX-ULTRAX adapter tee female
INTRNR	74122000
main material group	KELOX
material group	KELOX-ULTRAX metal fittings
code	KMU447



Art. No	label	d2 Inches	d1 mm	d3 mm	L1 mm	L2 mm	L3 mm	z1 mm	z2 mm	z3 mm	slw1 mm
71240I05	63x1"	1"	63	63	96	49	96	33	31	33	41