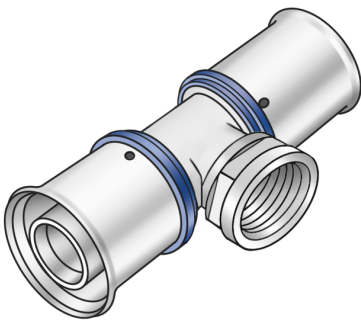


KELOX

KMU447 KELOX-ULTRAX adaptor tee female 75x1"

71240J05

Areas of application



Press-fit tee with female thread adaptor, made of non-porous metallized brass; including support sleeves with O-rings and steel or stainless steel press-fit sleeves; "leak before pressed"
DO NOT screw in any threaded pipes and cast iron fittings!

Approvals:



Specifications

Article information

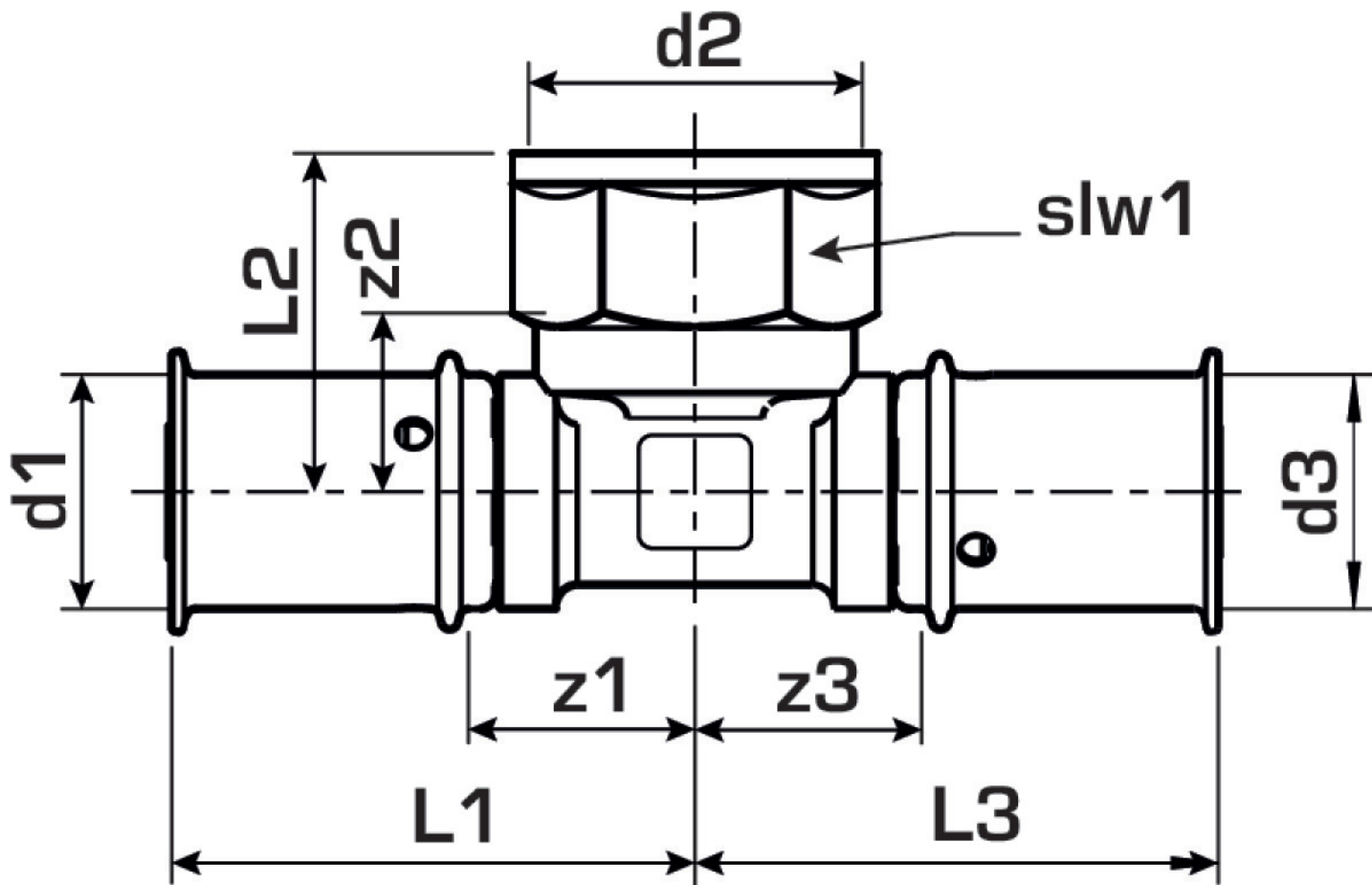
port 1	Pressmuffe
port 2	Innengewinde konisch (NPT)
port 3	Pressmuffe
execution	T-Stück
angle	90 °
press contour	U

Technical properties

maximum working pressure at 20 ° C	16 bar
------------------------------------	--------

Product information

VPE1	1 SA1
VPE2	2 KT1
weight	1,567 KGM
text	KELOX-ULTRAX adaptor tee female
INTRNR	74122000
main material group	KELOX
material group	KELOX-ULTRAX metal fittings
code	KMU447



Art. No	label	d1 mm	d3 mm
71240J05	75x1"	75	75