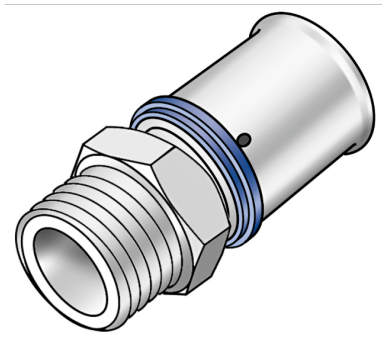


KELOX

KMU450 KELOX-ULTRAX adapter male 75x2 1/2"

71202J12

Areas of application



Press adapter with male thread for sealing, made of non-porous metallised brass, incl. support sleeves with O-rings and stainless steel press-fit sleeves, "leak before pressed"

Approvals:



Specifications

Article information

port 1	Pressing socket
port 2	Male thread
execution	1-part
design	Straight
press contour	U

Technical properties

maximum working pressure at 20 ° C	10 bar
------------------------------------	--------

Product information

VPE1	1,00 SA1
VPE2	10,00 KT1
weight	1,025 KGM
text	KELOX-ULTRAX adapter male
INTRNR	74122000
main material group	KELOX
material group	KELOX-ULTRAX metal fittings
code	KMU450



Art. No	label	d2 Inches	d1 mm	L1 mm	L2 mm	z1 mm	slw2 mm
71202J12	75x2 1/2"	2 1/2" (65)	75	91	28	27	80