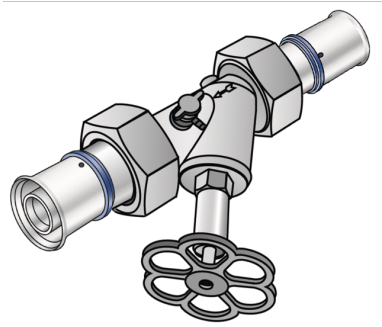


# KELOX

## KMU452 KELOX-ULTRAX slanted-seat valve 20-DN15

71233DD0

### Areas of application



Slanted-seat valve with ULTRAX press-fit unions KMU455 top part free of dead space, flat-sealing incl. seal and drain outlet "leak before pressed"

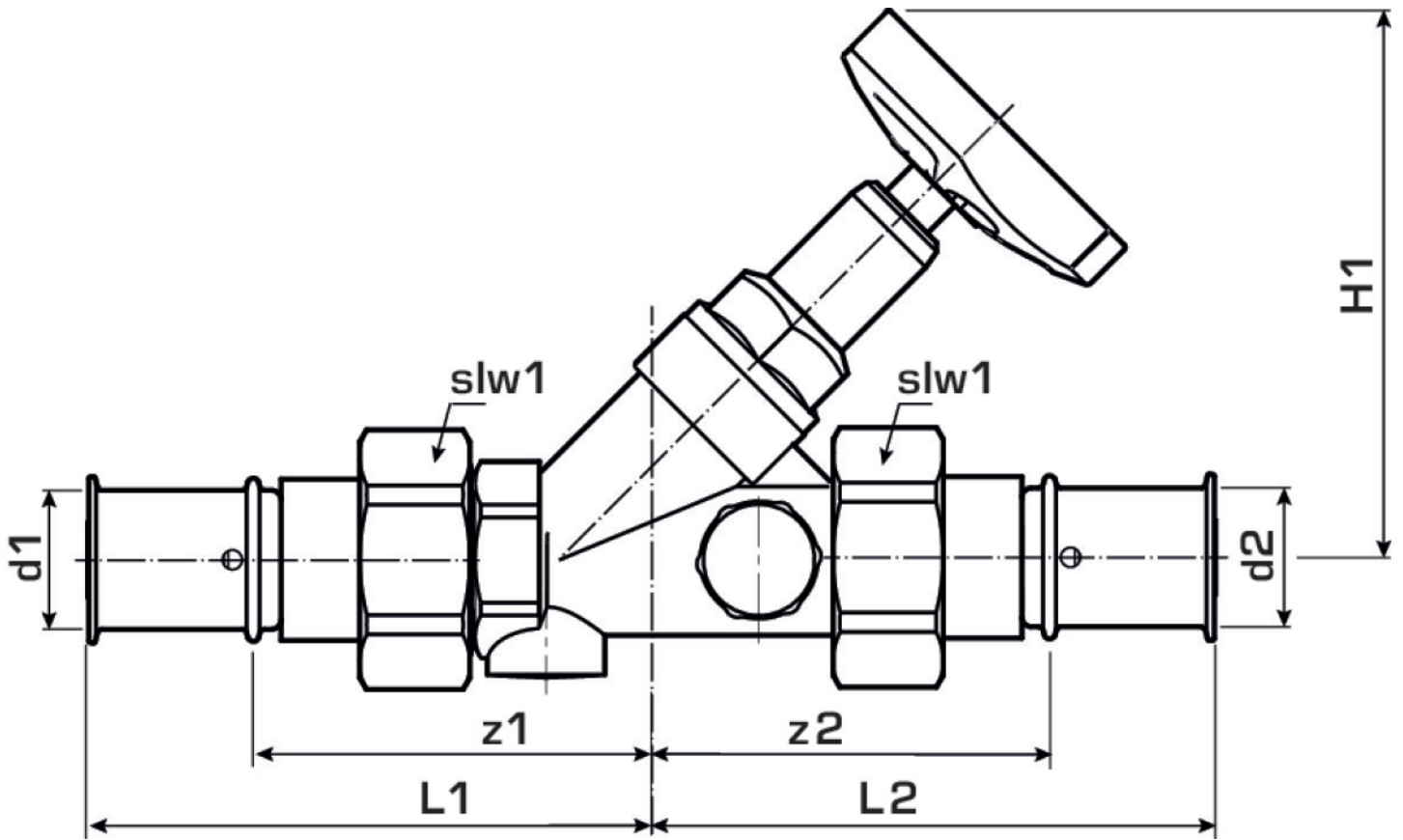
### Approvals:



# Specifications

## Product information

<b>VPE1</b>	1 SA1
<b>weight</b>	0,52 KGM
<b>text</b>	KELOX-ULTRAX slanted-seat valve
<b>INTRNR</b>	74122000
<b>main material group</b>	KELOX
<b>material group</b>	KELOX-ULTRAX metal fittings
<b>code</b>	KMU452



Art. No	label	L1	L2	z1	z2	slw1
71233DD0	20-DN15	82	82	56	56	51