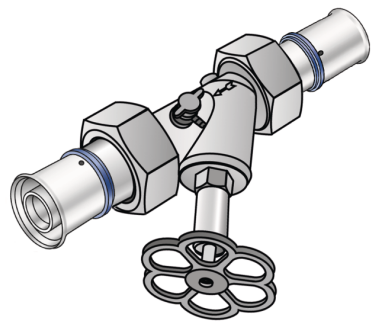


KELOX

KMU452 KELOX-ULTRAX slanted-seat valve 25-DN20

71233EE0

Areas of application



Slanted-seat valve with ULTRAX press-fit unions KMU455 top part free of dead space, flat-sealing incl. seal and drain outlet "leak before pressed"

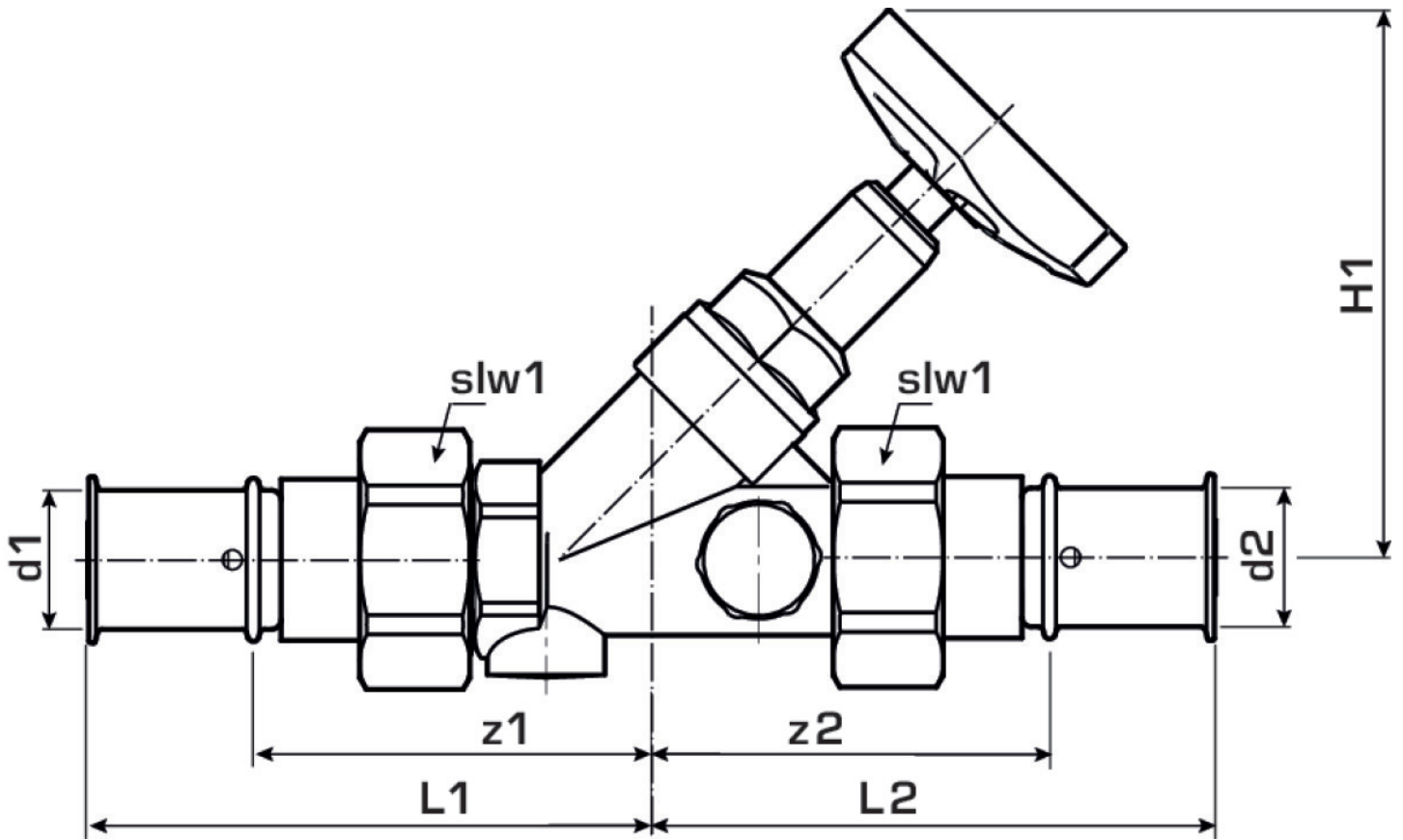
Approvals:



Specifications

Product information

VPE1	1 SA1
weight	0,82 KGM
text	KELOX-ULTRAX slanted-seat valve
INTRNR	74122000
main material group	KELOX
material group	KELOX-ULTRAX metal fittings
code	KMU452



Art. No	label	L1	L2	z1	z2	slw1
71233EE0	25-DN20	103	103	70	70	57