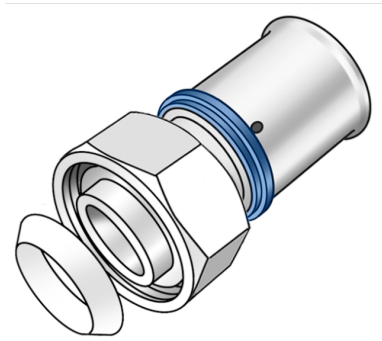


# KELOX

## KMU455K KELOX-ULTRAX union with female thread and wedge seal 16x1/2"

71204B02

### Areas of application



Press-fit union with female thread for connecting to fittings or threaded nipples made of non-porous metallized brass (CW724R), incl. support sleeves with O rings and steel or stainless steel press-fit sleeves, incl. wedge seal

### Approvals:



# Specifications

Product information	
VPE1	10 SA1
VPE2	200 KT1
weight	0,095 KGM
text	KELOX-ULTRAX union with female thread and wedge seal
INTRNR	74122000
main material group	KELOX
material group	KELOX-ULTRAX metal fittings
code	KMU455K

Art. No	label
71204B02	16x1/2"