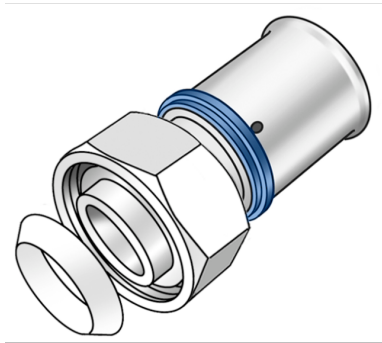


KELOX

KMU455K KELOX-ULTRAX union with female thread and wedge seal 20x3/4"

71204D04

Areas of application



Press-fit union with female thread for connecting to fittings or threaded nipples made of non-porous metallized brass (CW724R), incl. support sleeves with O rings and steel or stainless steel press-fit sleeves, incl. wedge seal

Approvals:



KE KELIT GmbH

A 4020 Linz, Ignaz-Mayer-Straße 17, Austria, Europe

PHONE +43 (0) 50 779 E-MAIL office@kekelit.com

www.kekelit.com

Specifications

Product information	
VPE1	10 SA1
VPE2	130 KT1
weight	0,117 KGM
text	KELOX-ULTRAX union with female thread and wedge seal
INTRNR	74122000
main material group	KELOX
material group	KELOX-ULTRAX metal fittings
code	KMU455K

Art. No	label
71204D04	20x3/4"