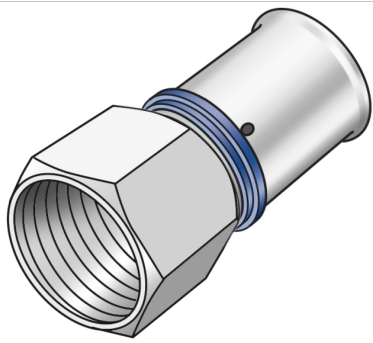


KELOX

KMU457 KELOX-ULTRAX adapter female 16x1/2"

71206B02

Areas of application



Press adapter with female thread, made of non-porous metallised brass; including support sleeves with O-rings and stainless steel d16-50mm press-fit sleeves; "leak before pressed"
DO NOT screw in any threaded pipes and cast iron fittings!

Approvals:



Specifications

Article information

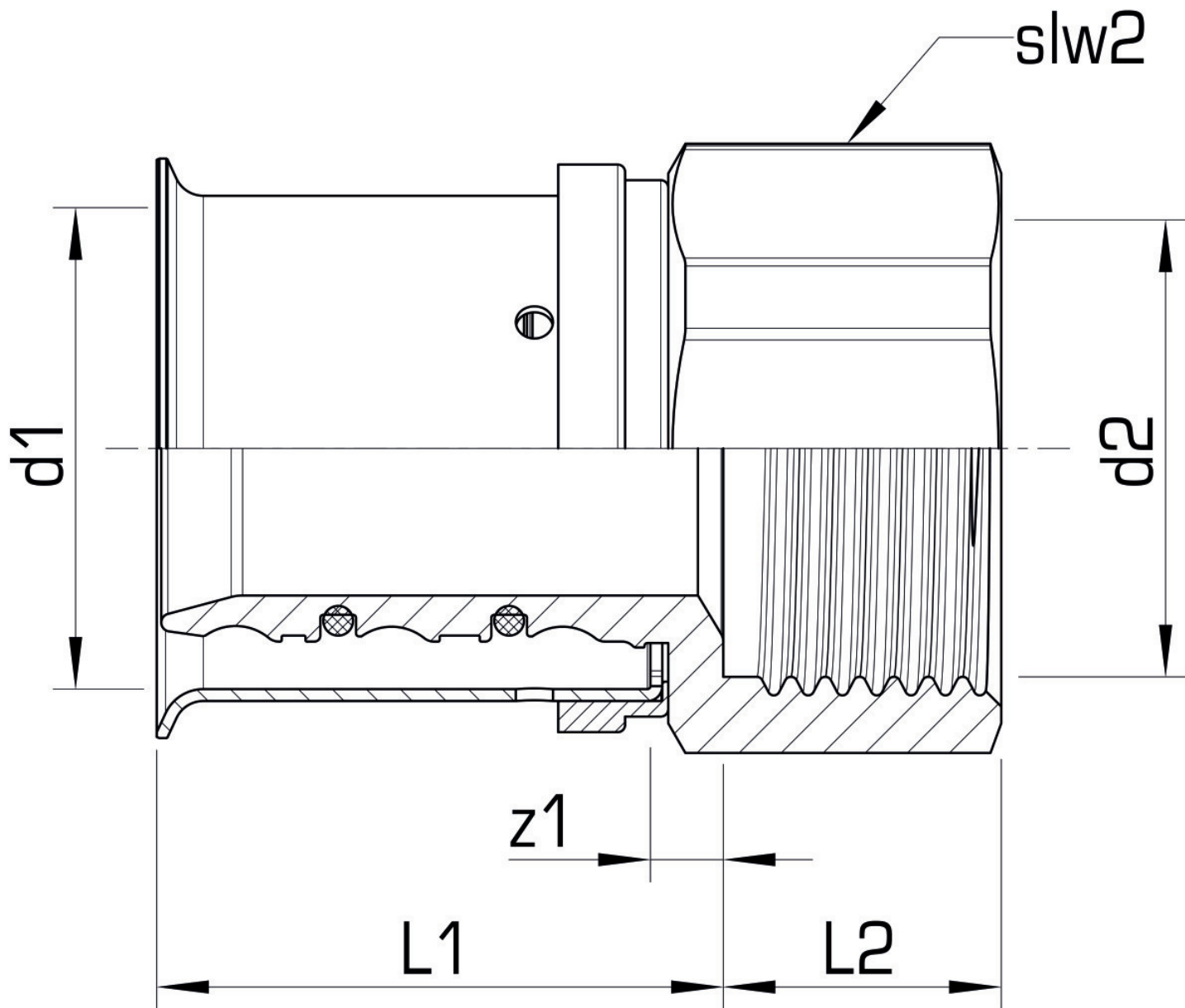
| | |
|---------------|---|
| port 1 | Pressing socket |
| port 2 | Female thread cylindrical BSPT-Rp (ISO 7-1) |
| execution | 1-part |
| design | Straight |
| press contour | U |

Technical properties

| | |
|------------------------------------|--------|
| maximum working pressure at 20 ° C | 10 bar |
|------------------------------------|--------|

Product information

| | |
|---------------------|-----------------------------|
| VPE1 | 10,00 SA1 |
| VPE2 | 200,00 KT1 |
| weight | 0,056 KGM |
| text | KELOX-ULTRAX adapter female |
| INTRNR | 74122000 |
| main material group | KELOX |
| material group | KELOX-ULTRAX metal fittings |
| code | KMU457 |



| Art. No | label | d2 Inches | d1 mm | L1 mm | L2 mm | z1 mm | z2 mm | slw1 | slw2 mm |
|----------|---------|--------------|-------|-------|-------|-------|-------|------|------------|
| 71206B02 | 16x1/2" | 1/2" (15) | 16 | 27,5 | 15 | 15 | 3,5 | 24 | 24 |