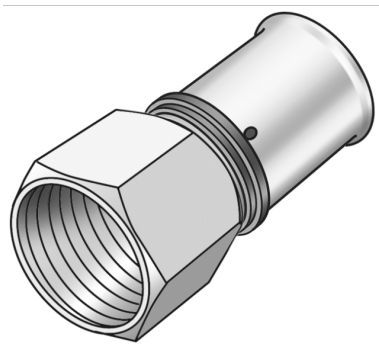


KELOX

KMU457 KELOX-ULTRAX adaptor female 63x2"

71206I09

Areas of application



Press-fit adaptor with female thread, made of non-porous metallized brass; including support sleeves with O-rings and steel or stainless steel d16-50mm press-fit sleeves; "leak before pressed"
DO NOT screw in any threaded pipes and cast iron fittings!

Approvals:



Specifications

Article information

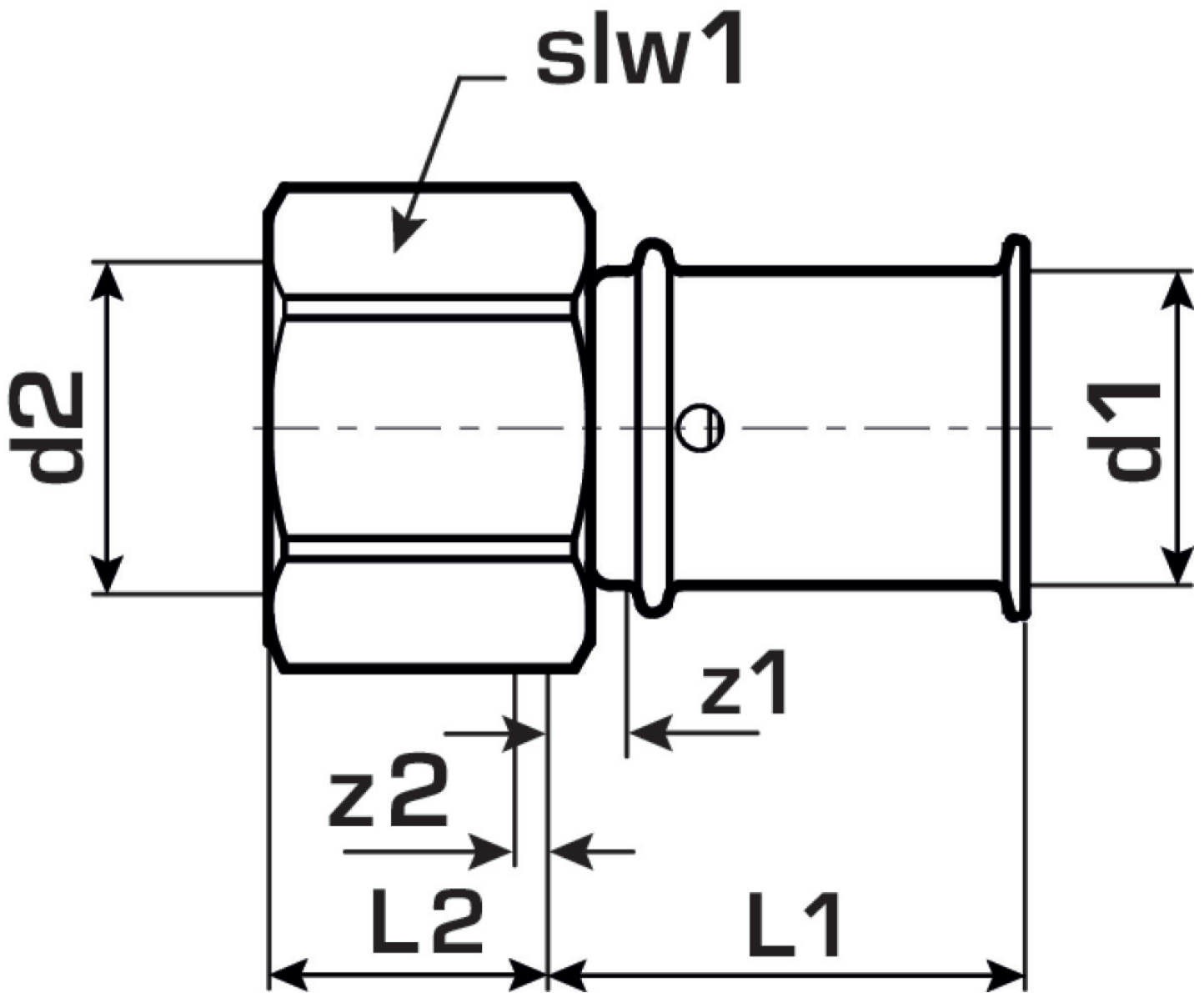
port 1	Pressing socket
port 2	Female thread cylindrical BSPT-Rp (ISO 7-1)
execution	1-part
design	Straight
press contour	U

Technical properties

maximum working pressure at 20 ° C	10
------------------------------------	----

Product information

VPE1	1 SA1
VPE2	8 KT1
weight	0,784 KGM
text	KELOX-ULTRAX adaptor female
INTRNR	74122000
main material group	KELOX
material group	KELOX-ULTRAX metal fittings
code	KMU457



Art. No	label	d2	d1 mm	L1	z1	z2	slw1
71206109	63x2"	2" (50)	60	70	29.5	2	74