

KELOX

KMU460 KELOX-ULTRAX elbow adapter 90° male 16x3/8"

71212B01

Areas of application



Press adapter elbow with male thread for sealing, made of non-porous metallised brass, incl. support sleeves with O-rings and stainless steel press-fit sleeves, "leak before pressed"

Approvals:



Specifications

Article information

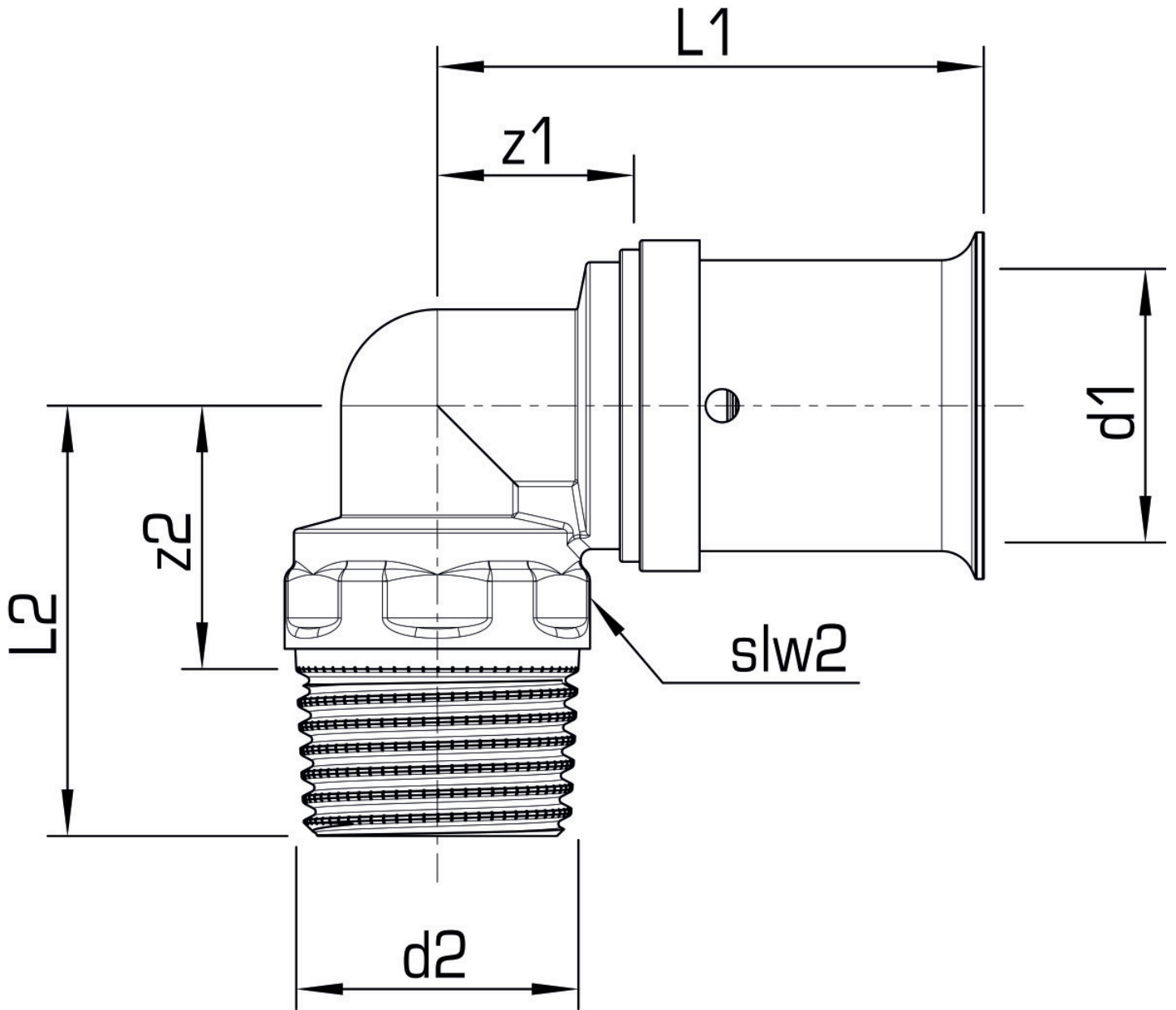
| | |
|---------------|----------------------------|
| port 1 | Pressing socket |
| port 2 | Male thread, conical (NPT) |
| execution | 1-part |
| design | Knee |
| angle | 90 ° |
| press contour | U |

Technical properties

| | |
|------------------------------------|--------|
| maximum working pressure at 20 ° C | 10 bar |
|------------------------------------|--------|

Product information

| | |
|---------------------|-------------------------------------|
| VPE1 | 10,00 SA1 |
| VPE2 | 200,00 KT1 |
| weight | 0,066 KGM |
| text | KELOX-ULTRAX elbow adapter 90° male |
| INTRNR | 74122000 |
| main material group | KELOX |
| material group | KELOX-ULTRAX metal fittings |
| code | KMU460 |



| Art. No | label | d2 Inches | d1 mm | L1 mm | L2 mm | z1 mm | z2 mm | slw1 mm | slw2 mm |
|----------|---------|--------------|-------|-------|-------|-------|-------|------------|------------|
| 71212B01 | 16x3/8" | 3/8" | 16 | 36 | 31 | 4,5 | 21 | 18 | 18 |