

KELOX

KMU460 KELOX-ULTRAX elbow adaptor 90° male 16x1/2"

71212B02

Areas of application



Press elbow adaptor with male thread for sealing, made of non-porous metallized brass, incl. support sleeves with O-rings and steel or stainless steel press-fit sleeves, "leak before pressed"

Approvals:



Specifications

Article information

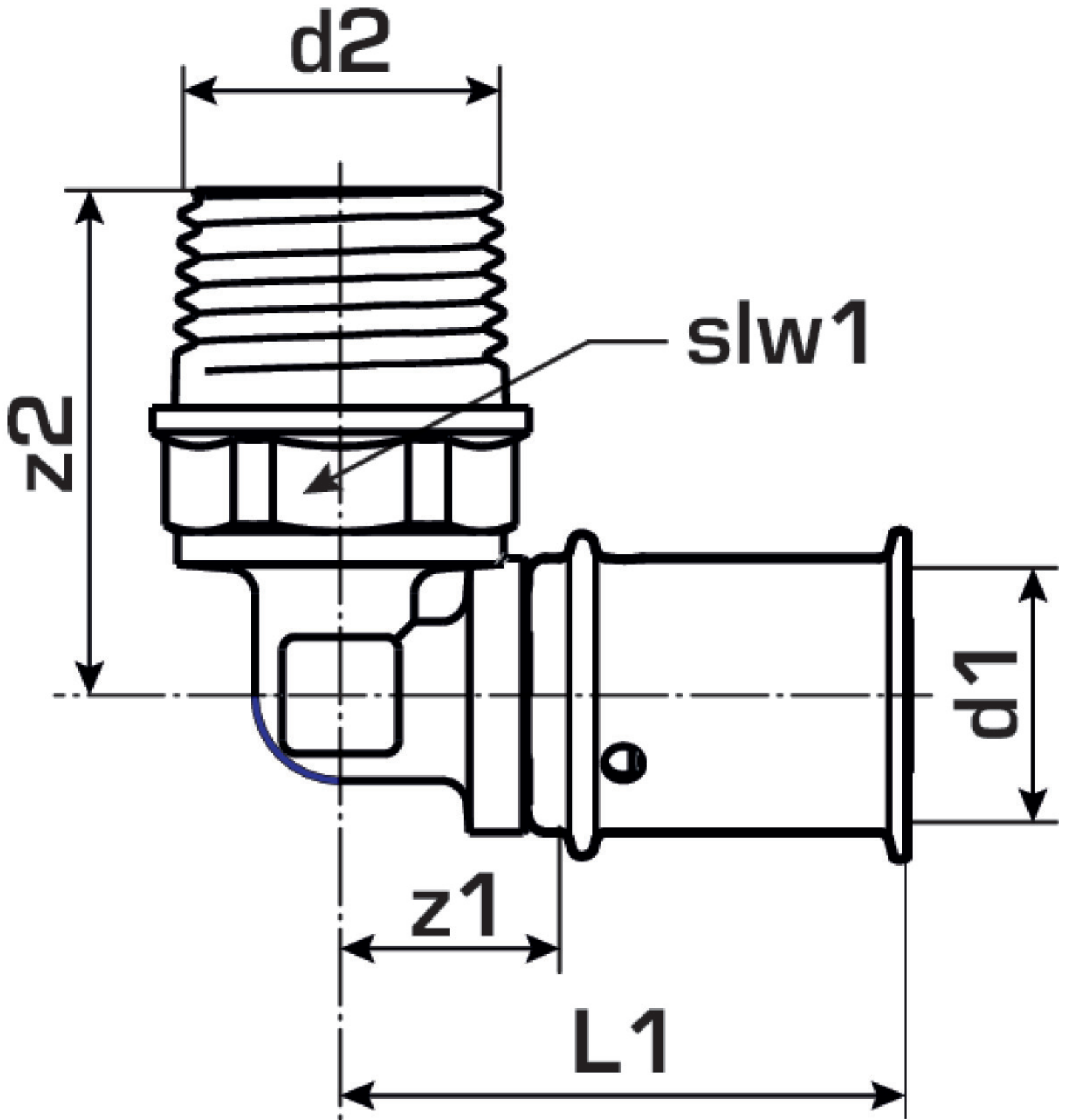
port 1	Pressing socket
port 2	Male thread, conical (NPT)
execution	1-part
design	Knee
angle	90
press contour	U

Technical properties

maximum working pressure at 20 ° C	10
------------------------------------	----

Product information

VPE1	10 SA1
VPE2	200 KT1
weight	0,068 KGM
text	KELOX-ULTRAX elbow adaptor 90° male
INTRNR	74122000
main material group	KELOX
material group	KELOX-ULTRAX metal fittings
code	KMU460



Art. No	label	d2	d1 mm	L1	L2 mm	z1
71212B02	16x1/2"	1/2" (15)	16	36	32	4.5



KE KELIT GmbH

A 4020 Linz, Ignaz-Mayer-Straße 17, Austria, Europe

PHONE +43 (0) 50 779 **E-MAIL** office@kekelit.com

www.kekelit.com