

KELOX

KMU460 KELOX-ULTRAX elbow adaptor 90° male 20x3/4"

71212D04

Areas of application



Press elbow adaptor with male thread for sealing, made of non-porous metallized brass, incl. support sleeves with O-rings and steel or stainless steel press-fit sleeves, "leak before pressed"

Approvals:



Specifications

Article information

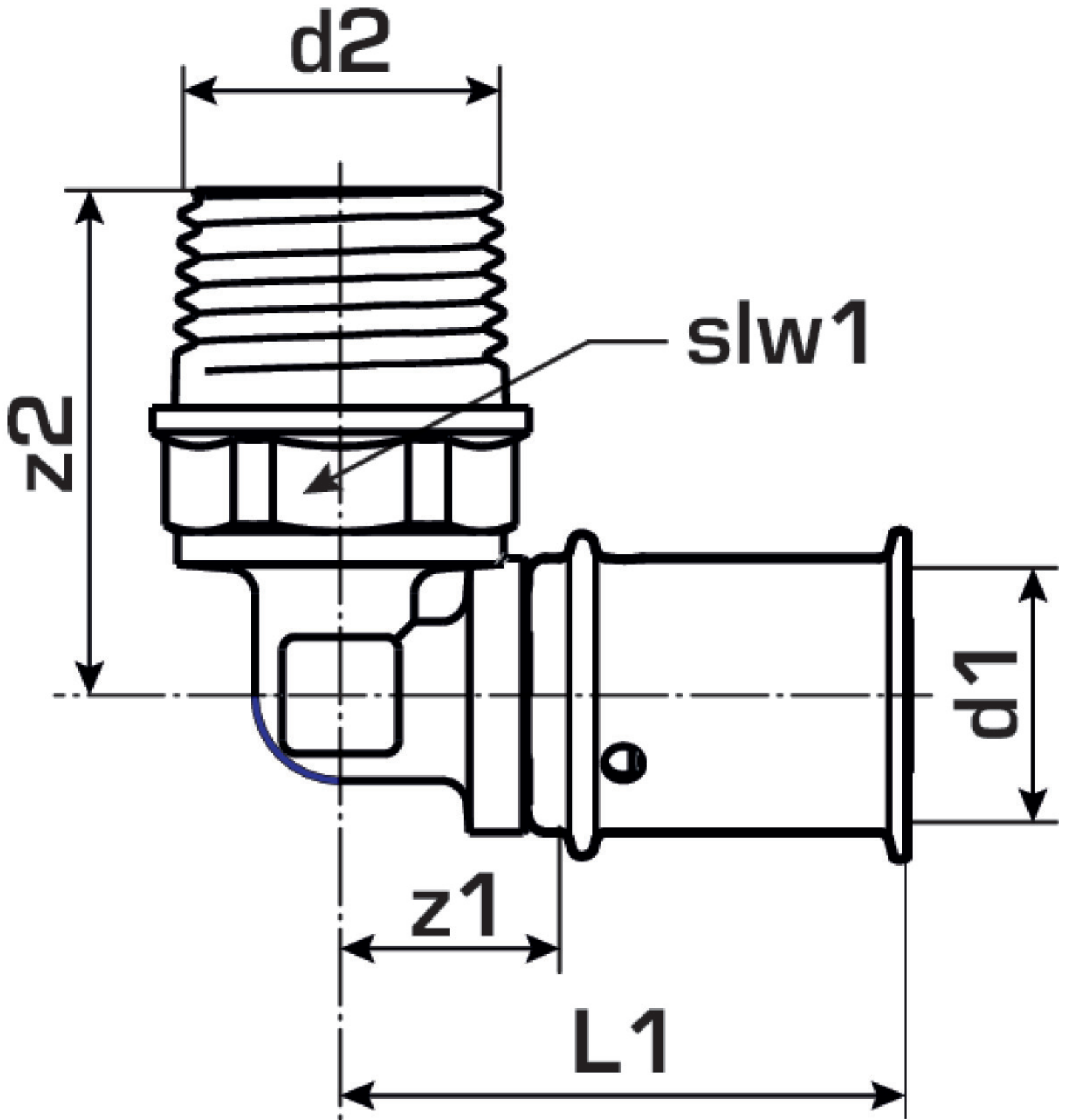
port 1	Pressing socket
port 2	Male thread, conical (NPT)
execution	1-part
design	Knee
angle	90
press contour	U

Technical properties

maximum working pressure at 20 ° C	10
------------------------------------	----

Product information

VPE1	10 SA1
VPE2	120 KT1
weight	0,134 KGM
text	KELOX-ULTRAX elbow adaptor 90° male
INTRNR	74122000
main material group	KELOX
material group	KELOX-ULTRAX metal fittings
code	KMU460



Art. No	label	d2	d1 mm	L1	L2	z1 mm
71212D04	20x3/4"	3/4" (20)	20	41	42	16



KE KELIT GmbH

A 4020 Linz, Ignaz-Mayer-Straße 17, Austria, Europe

PHONE +43 (0) 50 779 **E-MAIL** office@kekelit.com

www.kekelit.com