

# KELOX

## KMU460 KELOX-ULTRAX elbow adaptor 90° male 25x1"

71212E05

### Areas of application



Press elbow adaptor with male thread for sealing, made of non-porous metallized brass, incl. support sleeves with O-rings and steel or stainless steel press-fit sleeves, "leak before pressed"

### Approvals:



# Specifications

## Article information

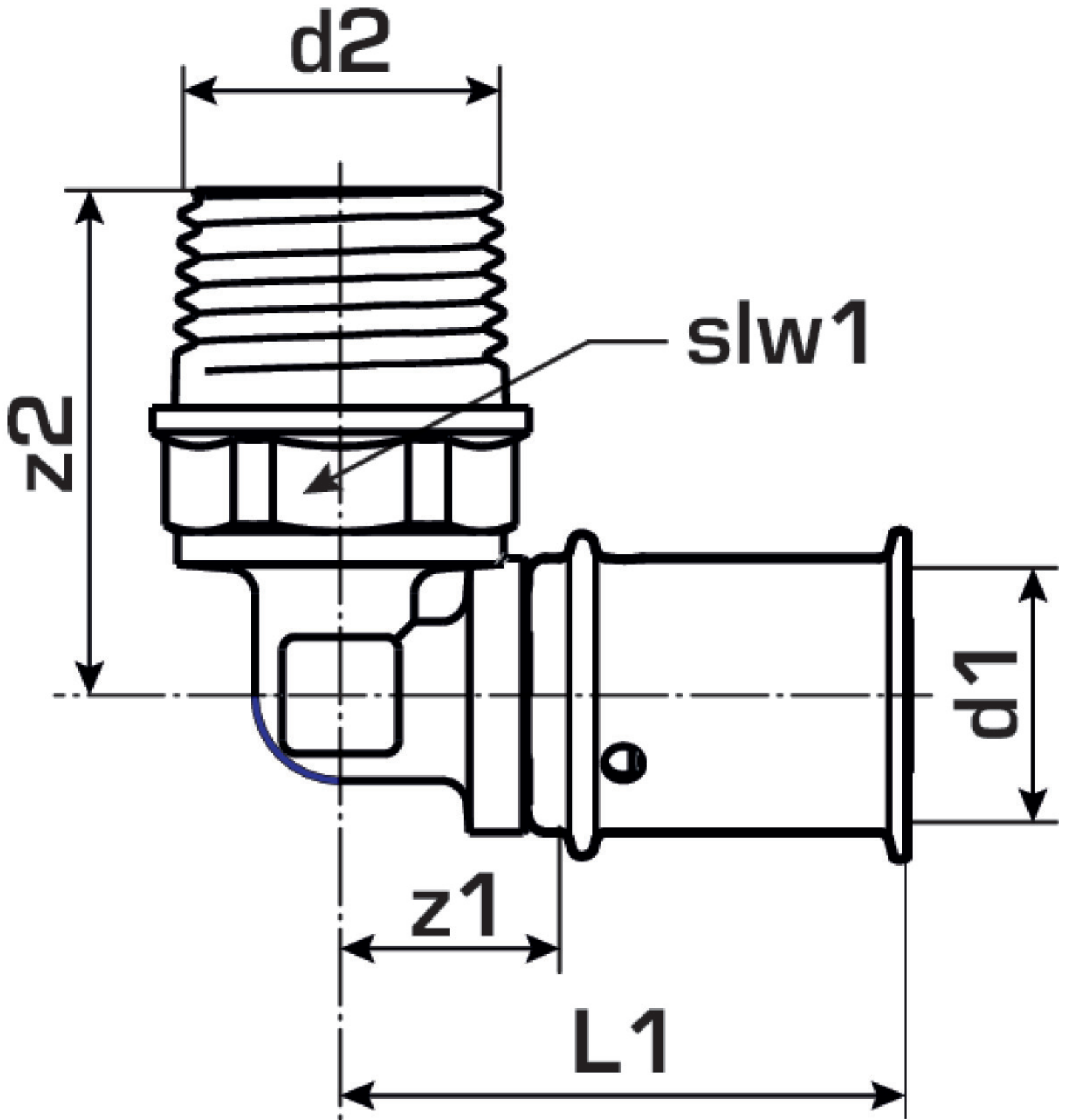
port 1	Pressing socket
port 2	Male thread, conical (NPT)
execution	1-part
design	Knee
angle	90
press contour	U

## Technical properties

maximum working pressure at 20 ° C	10
------------------------------------	----

## Product information

VPE1	10 SA1
VPE2	80 KT1
weight	0,205 KGM
text	KELOX-ULTRAX elbow adaptor 90° male
INTRNR	74122000
main material group	KELOX
material group	KELOX-ULTRAX metal fittings
code	KMU460



Art. No	label	d2	d1 mm	L1	L2	z1 mm	slw1
71212E05	25x1"	1" (25)	25	56	42	32	35



**KE KELIT GmbH**

A 4020 Linz, Ignaz-Mayer-Straße 17, Austria, Europe

**PHONE** +43 (0) 50 779 **E-MAIL** [office@kekelit.com](mailto:office@kekelit.com)

[www.kekelit.com](http://www.kekelit.com)