

# KELOX

## KMU467 KELOX-ULTRAX elbow adaptor 90° female 20x1/2"

71216D02

### Areas of application



Press-fit elbow adaptor with female thread, made of non-porous metallized brass; including support sleeves with O-rings and steel or stainless steel press-fit sleeves; "leak before pressed"  
DO NOT screw in any threaded pipes and cast iron fittings!

### Approvals:



# Specifications

## Article information

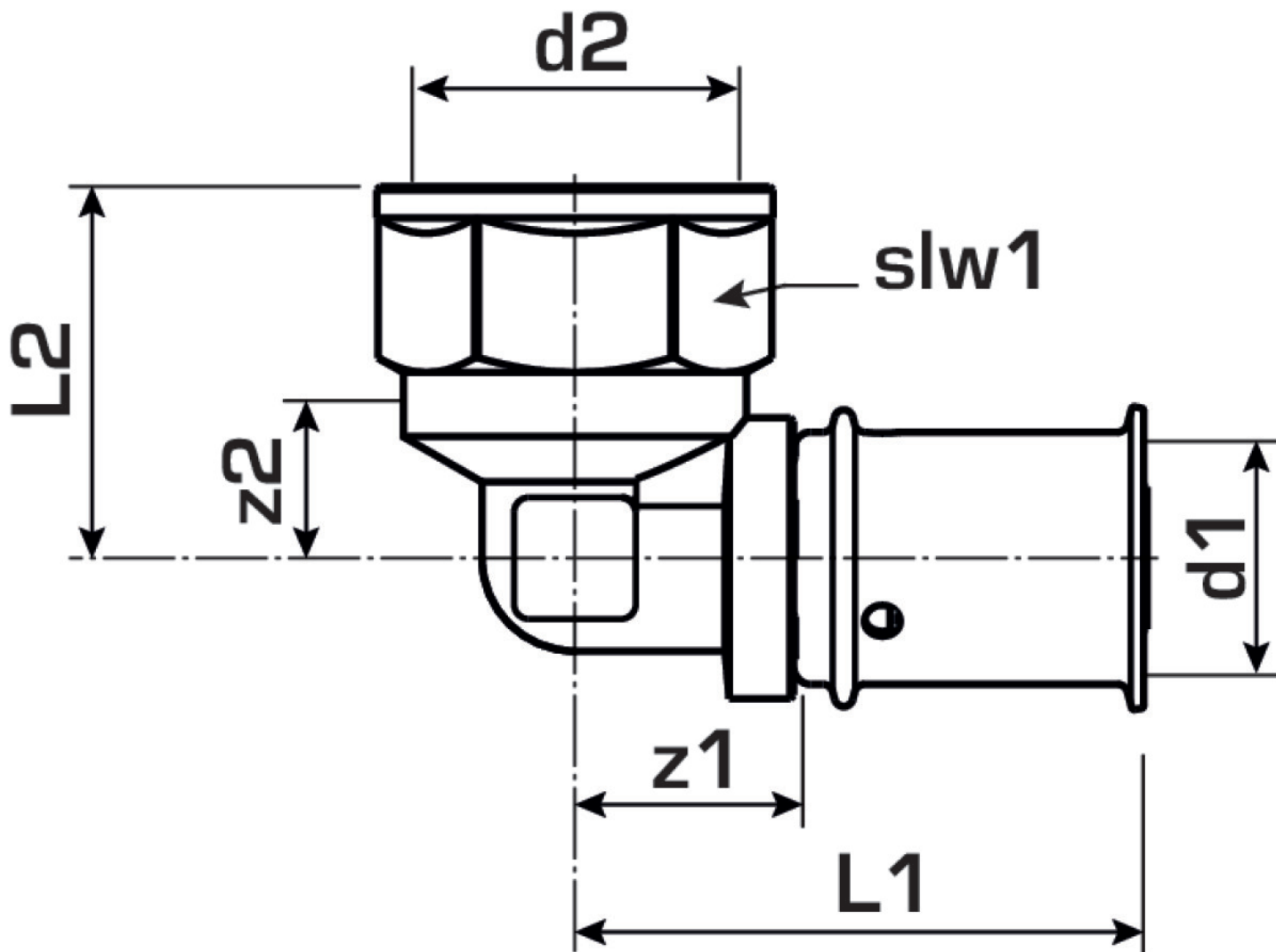
port 1	Pressing socket
execution	1-part
design	Knee
angle	90
press contour	U

## Technical properties

maximum working pressure at 20 ° C	10
------------------------------------	----

## Product information

VPE1	10 SA1
VPE2	160 KT1
weight	0,088 KGM
text	KELOX-ULTRAX elbow adaptor 90° female
INTRNR	74122000
main material group	KELOX
material group	KELOX-ULTRAX metal fittings
code	KMU467



Art. No	label	d2	d1 mm	L1	z1	z2	slw2
71216D02	20x1/2"	1/2" (15)	20	56	30.5	29	24