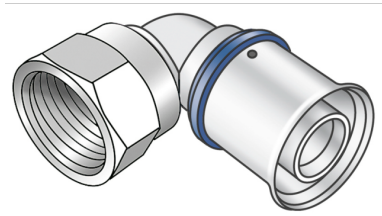


# KELOX

## KMU467 KELOX-ULTRAX elbow adaptor 90° female 25x3/4"

71216E04

### Areas of application



Press-fit elbow adaptor with female thread, made of non-porous metallized brass; including support sleeves with O-rings and steel or stainless steel press-fit sleeves; "leak before pressed"  
DO NOT screw in any threaded pipes and cast iron fittings!

### Approvals:



KE KELIT GmbH

A 4020 Linz, Ignaz-Mayer-Straße 17, Austria, Europe

PHONE +43 (0) 50 779 E-MAIL [office@kekelit.com](mailto:office@kekelit.com)

[www.kekelit.com](http://www.kekelit.com)

# Specifications

## Article information

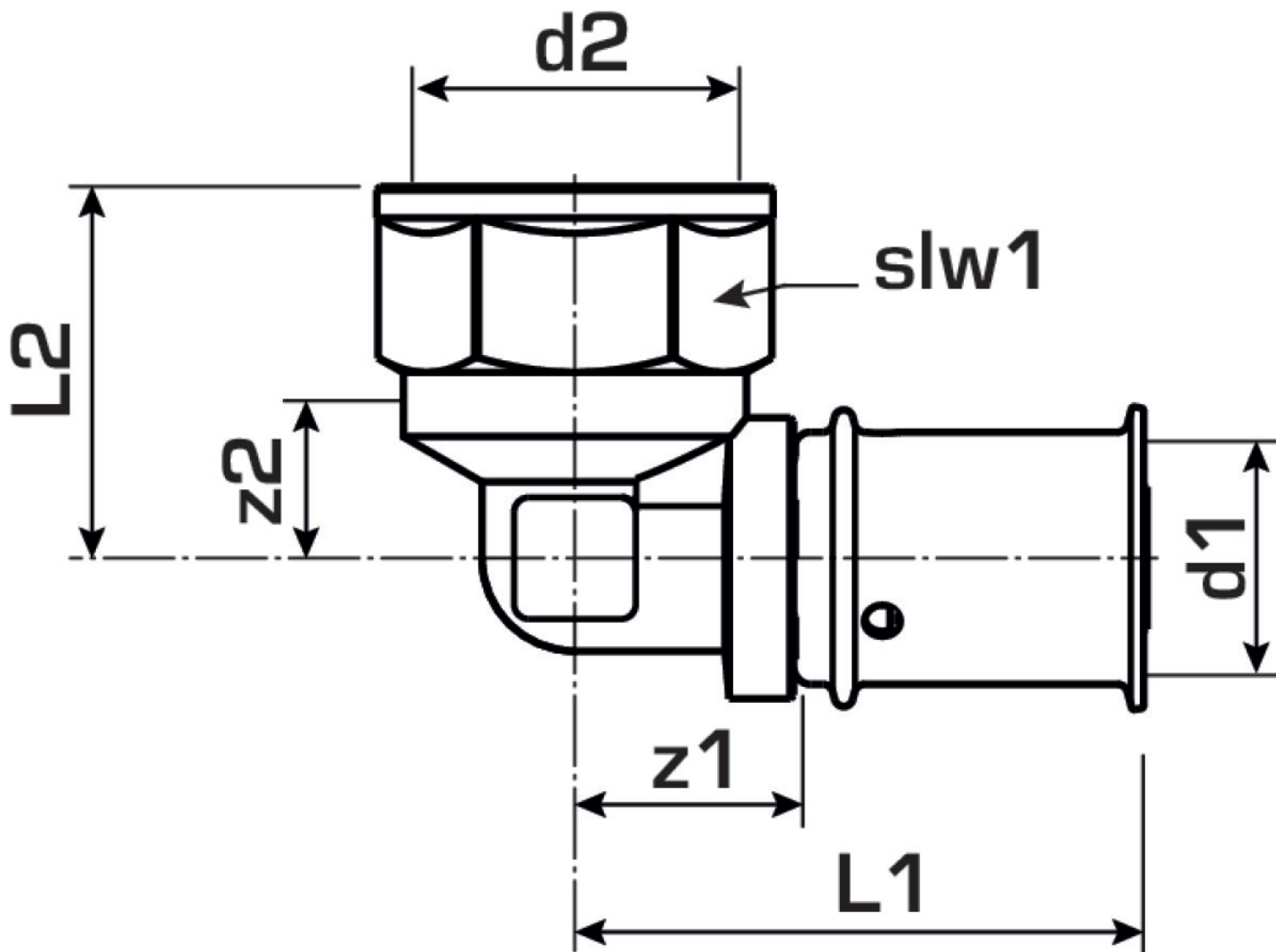
port 1	Pressing socket
execution	1-part
design	Knee
angle	90
press contour	U

## Technical properties

maximum working pressure at 20 ° C	10
------------------------------------	----

## Product information

VPE1	10 SA1
VPE2	100 KT1
weight	0,148 KGM
text	KELOX-ULTRAX elbow adaptor 90° female
INTRNR	74122000
main material group	KELOX
material group	KELOX-ULTRAX metal fittings
code	KMU467



Art. No	label	d2	d1 mm	L1	z1	z2	slw2
71216E04	25x3/4"	3/4" (20)	25	68	35	32.5	30