

KELOX

KMU467 KELOX-ULTRAX elbow adaptor 90° female 25x1"

71216E05

Areas of application



Press-fit elbow adaptor with female thread, made of non-porous metallized brass; including support sleeves with O-rings and steel or stainless steel press-fit sleeves; "leak before pressed"
DO NOT screw in any threaded pipes and cast iron fittings!

Approvals:



KE KELIT GmbH

A 4020 Linz, Ignaz-Mayer-Straße 17, Austria, Europe

PHONE +43 (0) 50 779 E-MAIL office@kekelit.com

www.kekelit.com

Specifications

Article information

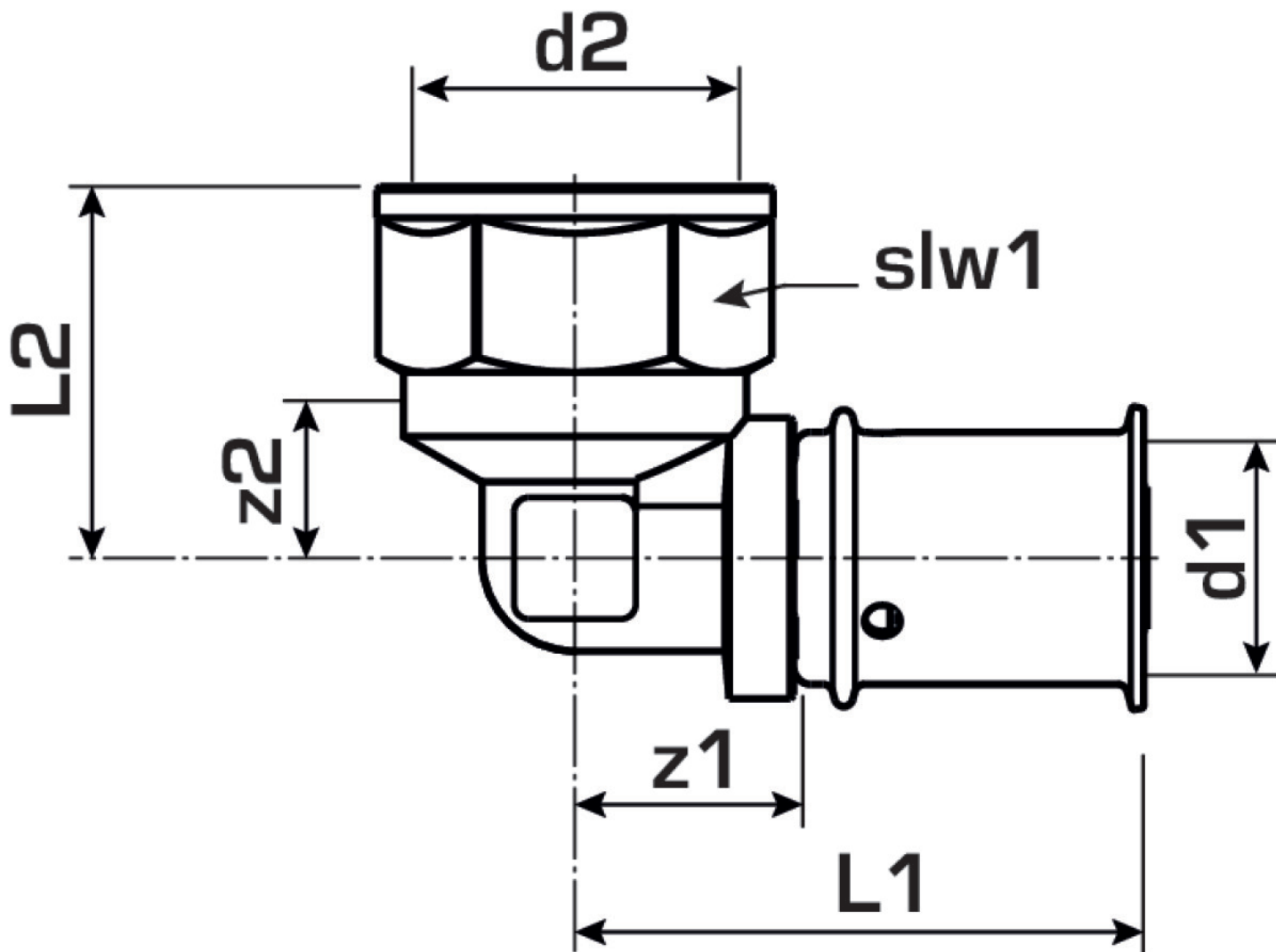
port 1	Pressing socket
execution	1-part
design	Knee
angle	90
press contour	U

Technical properties

maximum working pressure at 20 ° C	10
------------------------------------	----

Product information

VPE1	10 SA1
VPE2	80 KT1
weight	0,222 KGM
text	KELOX-ULTRAX elbow adaptor 90° female
INTRNR	74122000
main material group	KELOX
material group	KELOX-ULTRAX metal fittings
code	KMU467



Art. No	label	d2	d1 mm
71216E05	25x1"	1" (25)	25