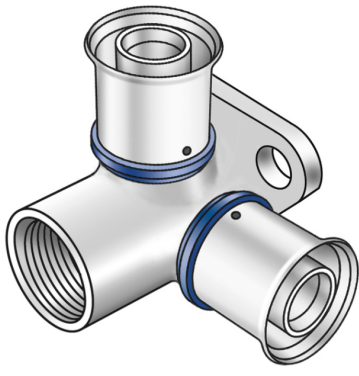


KELOX

KMU475 KELOX-ULTRAX fitting connection tee with female thread 20x1/2"

71252D2D

Areas of application



Press-fitting connection tee with female thread made of non-porous metallized brass; including support sleeves with O-rings and steel or stainless steel press-fit sleeves; "not pressed, not sealed"
DO NOT screw in any threaded pipes and cast iron fittings!

Overall height:

1/2" - 46mm

Approvals:



Specifications

Article information

port 1 Pressmuffe

Product information

VPE1	10 SA1
VPE2	80 KT1
weight	0,252 KGM
text	KELOX-ULTRAX fitting connection tee with female thread
INTRNR	74122000
main material group	KELOX
material group	KELOX-ULTRAX metal fittings
code	KMU475

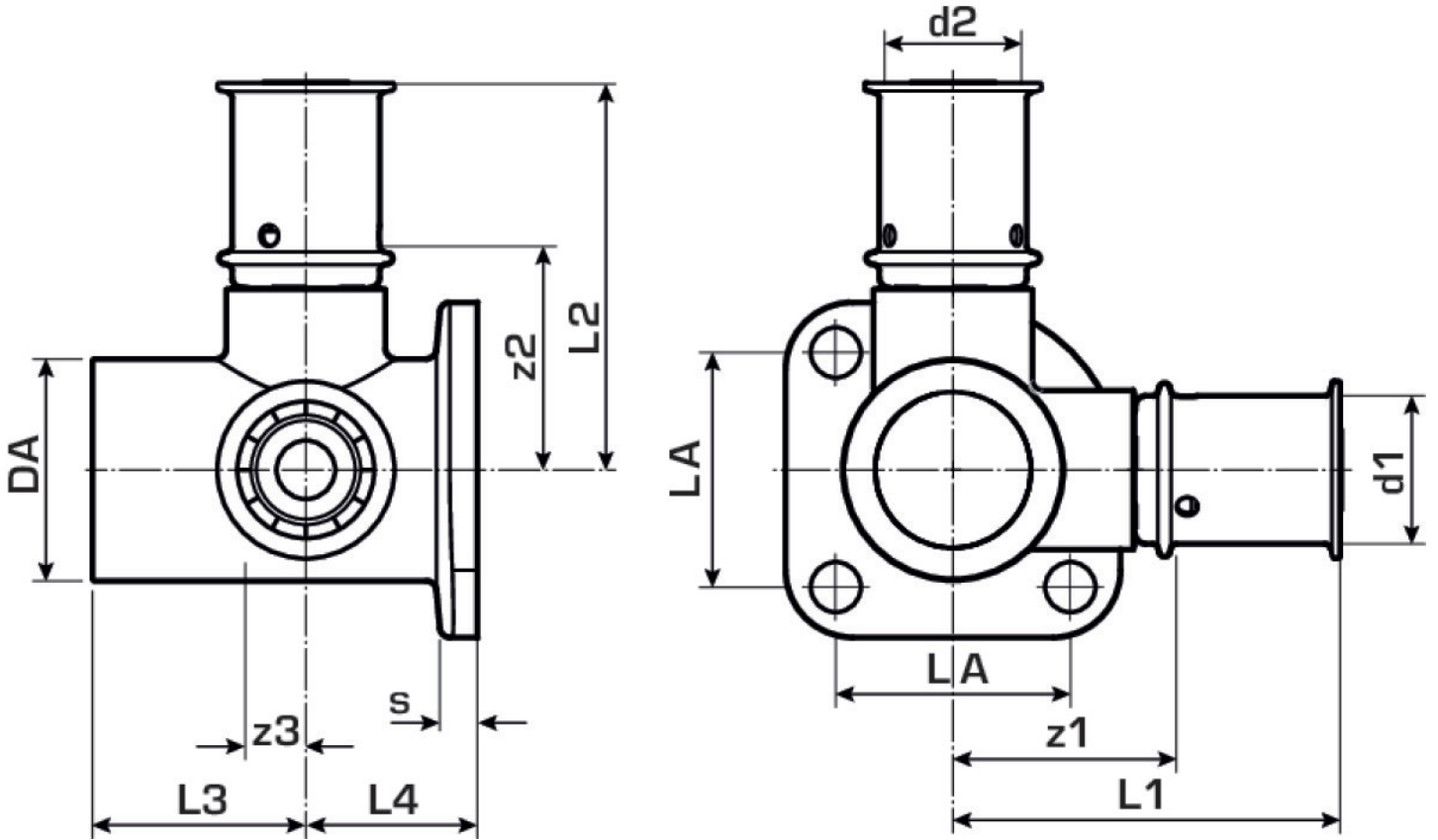


KE KELIT GmbH

A 4020 Linz, Ignaz-Mayer-Straße 17, Austria, Europe

PHONE +43 (0) 50 779 **E-MAIL** office@kekelit.com

www.kekelit.com



Art. No	label	d1 mm	L1 mm	L2 mm	L3 mm	z1 mm	z2 mm	z3 mm
71252D2D	20x1/2"	20	42.5	42.5	25.5	16	20.5	11