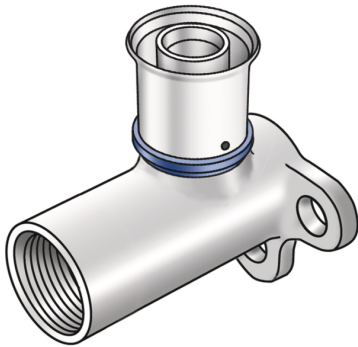


KELOX

KMU480L KELOX-ULTRAX wall bracket 90° with 20mm female thread 20x1/2"

71251D02

Areas of application



Press-fit wall bracket elbow with female thread, extended by 20mm, made from non-porous metallized brass; including support sleeves with O-rings and steel or stainless steel press-fit sleeves, "leak before pressed"

Overall height:

1/2" - 66mm

DO NOT screw in threaded pipes and cast iron fittings!

Approvals:



Specifications

Article information

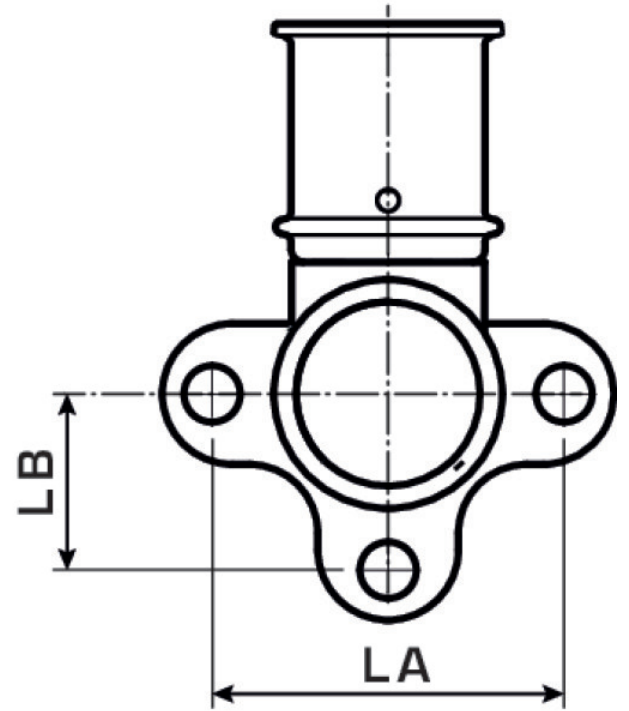
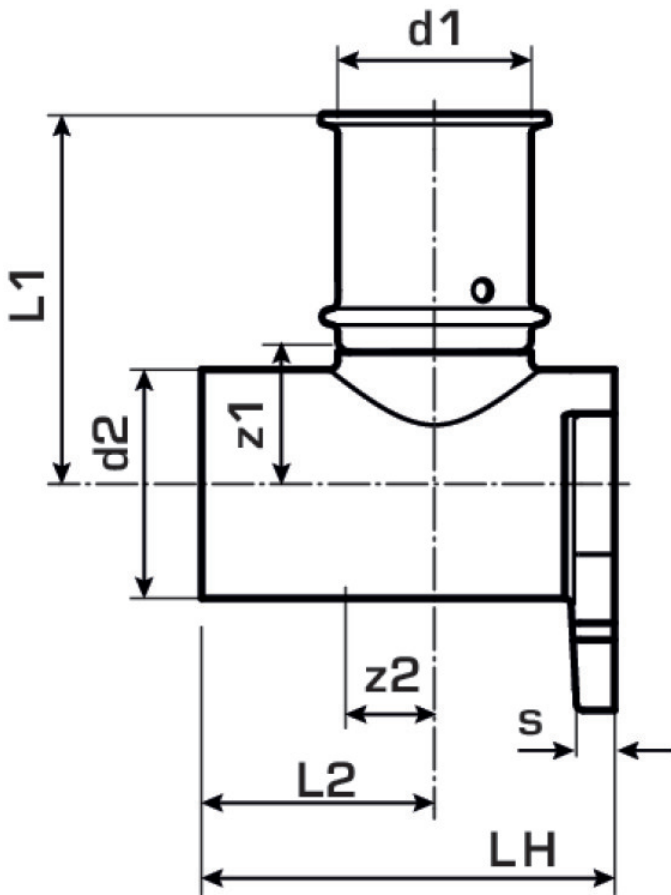
port 1	Pressmuffe
design	Durchgängig rechtwinklig
press contour	U

Technical properties

maximum working pressure at 20 ° C	10 bar
------------------------------------	--------

Product information

VPE1	10 SA1
VPE2	60 KT1
weight	0,173 KGM
text	KELOX-ULTRAX wall bracket 90° with 20mm female thread
INTRNR	74122000
main material group	KELOX
material group	KELOX-ULTRAX metal fittings
code	KMU480L



Art. No	label	d1 mm	L1 mm	L2 mm	z1 mm	z2 mm
71251D02	20x1/2"	20	62,5	26,5	17	15