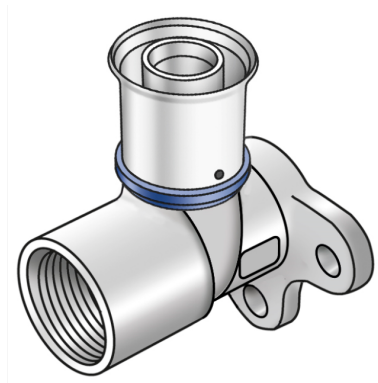


KELOX

KMU480Z KELOX-ULTRAX zeta wall bracket 90° female 16x1/2"

71252B02

Areas of application



Zeta value-optimised press-fit wall bracket with female thread made from non-porous metallized brass; including support sleeves with O-rings and steel or stainless steel press-fit sleeves, "not pressed, not sealed"

Overall height:

1/2" - 46mm

DO NOT screw in threaded pipes and cast iron fittings!

Approvals:



Specifications

Article information

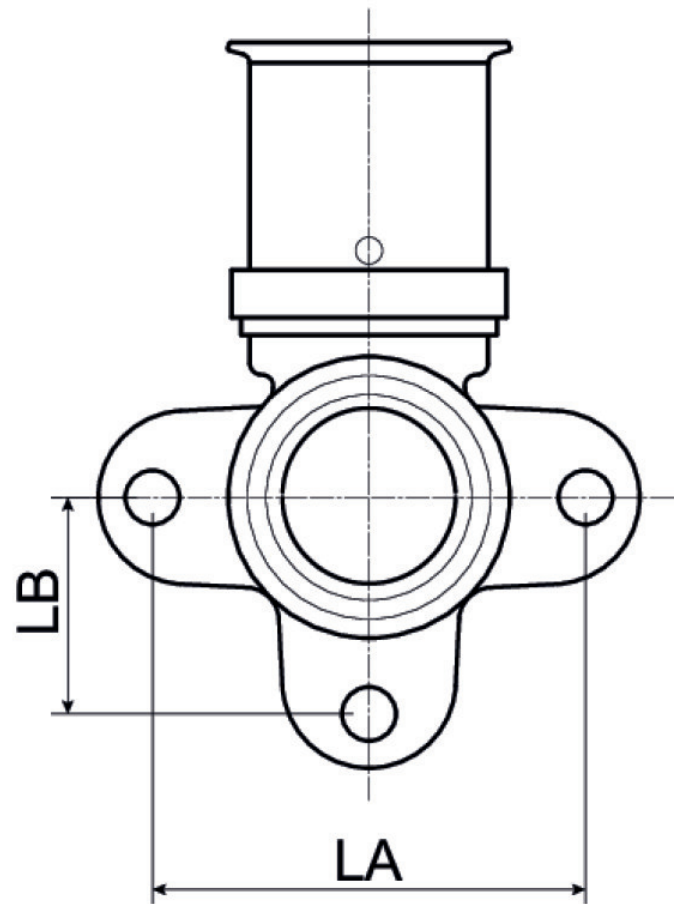
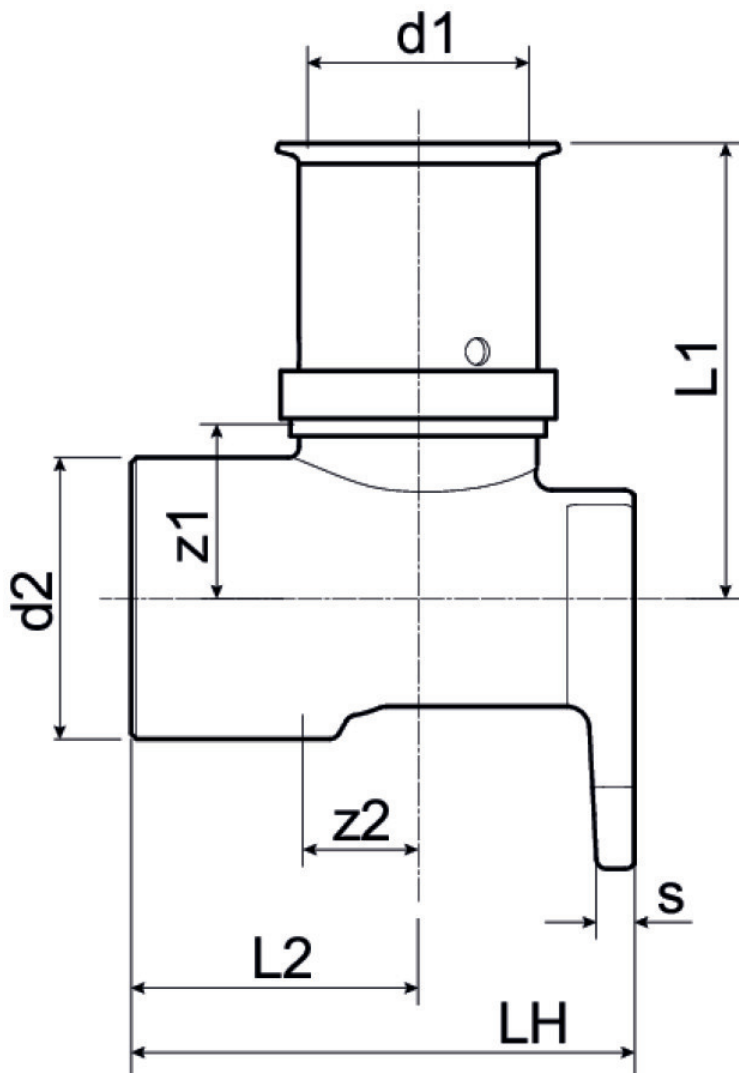
port 1	Pressing socket
design	Continuously right-angled
press contour	U

Technical properties

maximum working pressure at 20 ° C	10
------------------------------------	----

Product information

VPE1	10 SA1
VPE2	100 KT1
weight	0,128 KGM
text	KELOX-ULTRAX zeta wall bracket 90° female
INTRNR	74122000
main material group	KELOX
material group	KELOX-ULTRAX metal fittings
code	KMU480Z



Art. No	label	d1 mm	L1	L2	z1 mm	z2
71252B02	16x1/2"	16	42.5	26.5	17	15