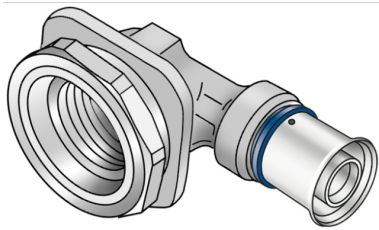


KELOX

KMU482 KELOX-ULTRAX UPS elbow adaptor 90° female 16x1/2"

71253B02

Areas of application



Press-fit cistern elbow with female thread and locknut, made of non-porous metallized brass; including support sleeves with O-rings and steel or stainless steel press-fit sleeves; "leak before pressed"

DO NOT screw in any threaded pipes and cast iron fittings!

Approvals:



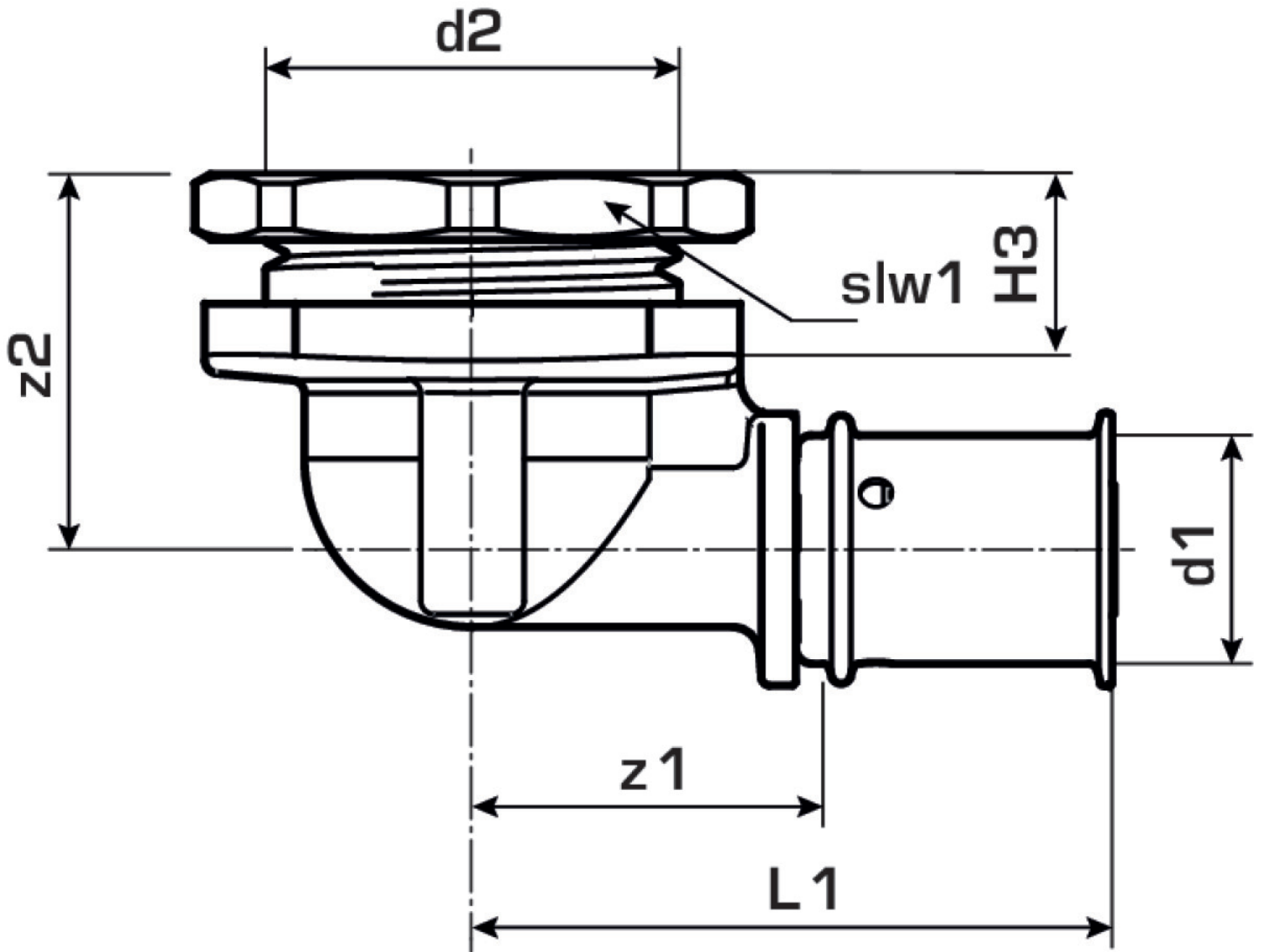
Specifications

Article information

port 1	Pressing socket
port 2	Female thread cylindrical BSPT-Rp (ISO 7-1)
execution	2-part
design	Knee
angle	90
press contour	U

Product information

VPE1	10 SA1
VPE2	80 KT1
weight	0,156 KGM
text	KELOX-ULTRAX UPS elbow adaptor 90° female
INTRNR	74122000
main material group	KELOX
material group	KELOX-ULTRAX metal fittings
code	KMU482



Art. No	label	d2 Inches	d1 mm	L1	z1	z2	slw1
71253B02	16x1/2"	1/2" (15)	16	48.5	26	29.5	38