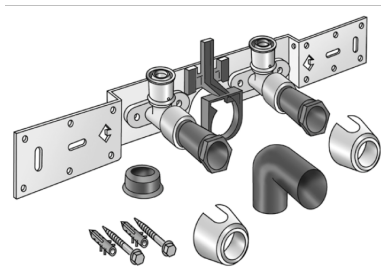


KELOX

KMU485SB KELOX-ULTRAX connection set with elbow 20x1/2" 8-10cm

71264D02

Areas of application



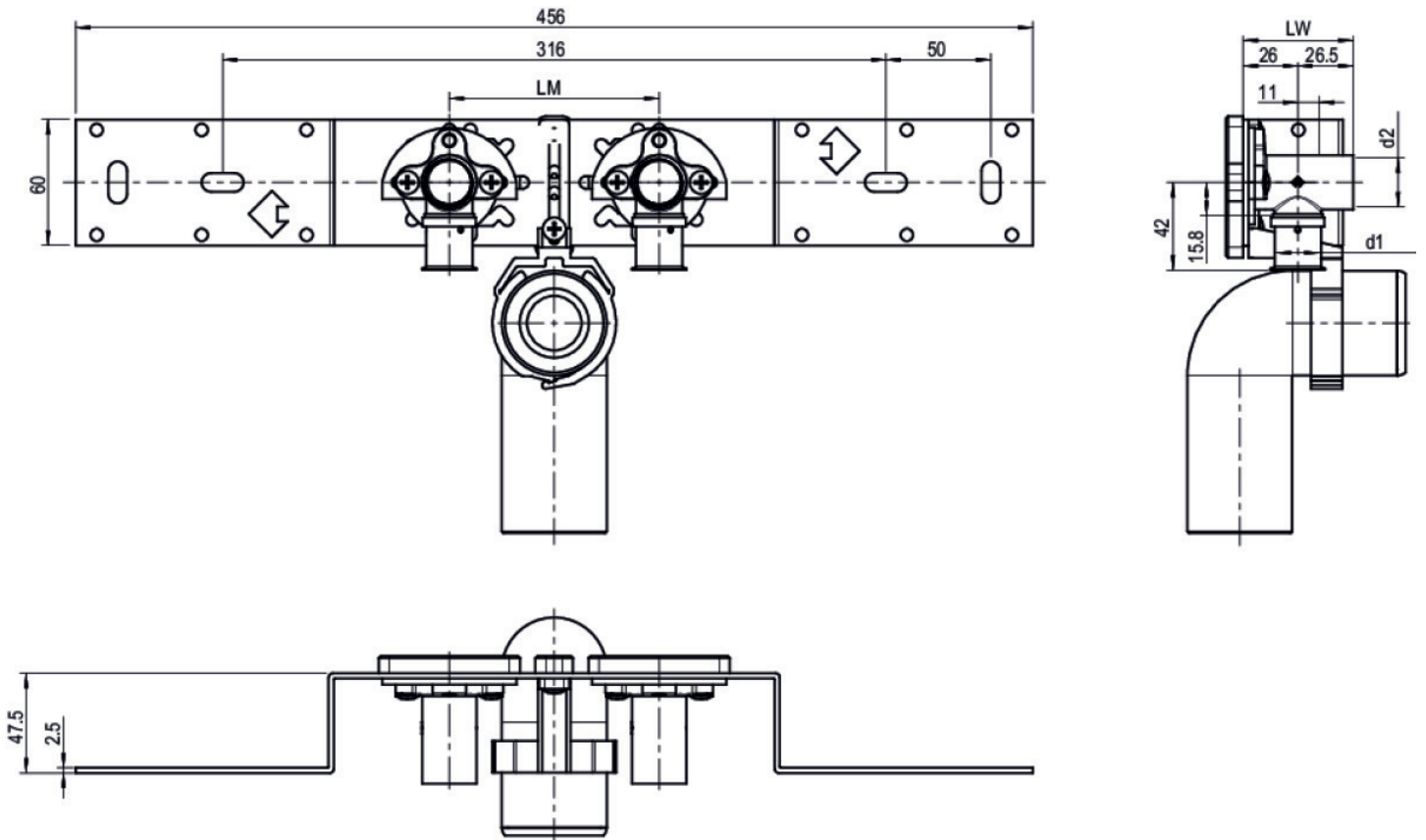
With KMU480 wall bracket elbow 90°, sound-insulated; stopper, metal mount, plugs and fastening elements, incl. elbow for connecting to trap d50mm and galvanised nipple d30
DO NOT screw in any threaded pipes and cast iron fittings!

Approvals:



Specifications

Product information	
VPE1	1 KT1
VPE2	15 KT2
weight	1,246 KGM
text	KELOX-ULTRAX connection set with elbow
INTRNR	74122000
main material group	KELOX
material group	KELOX-ULTRAX metal fittings
code	KMU485SB



Art. No	label
71264D02	20x1/2" 8-10cm