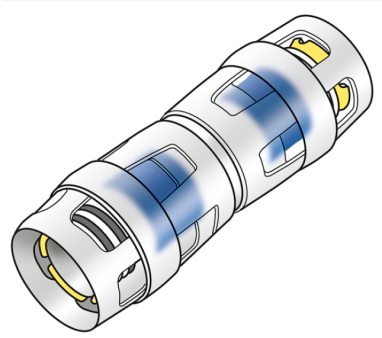


KELOX

KMP410 KELOX-PROTEC coupling 20/20

73100DD0

Areas of application



?Plug-in coupling equal or reduced, made of non-porous metallized brass, incl. support sleeves, O-rings, withdrawal barriers and a protector ring as an insertion locking device

Approvals:



KE KELIT GmbH

A 4020 Linz, Ignaz-Mayer-Straße 17, Austria, Europe

PHONE +43 (0) 50 779 E-MAIL office@kekelit.com

www.kekelit.com

Specifications

Article information

port 1	Plug-in
port 2	Plug-in
execution	Miscellaneous
design	Straight

Product information

VPE1	10 SA1
VPE2	140 KT1
weight	0,062 KGM
text	KELOX-PROTEC coupling
INTRNR	74122000
main material group	KELOX
material group	KELOX-PROtec pushfittings
code	KMP410



Art. No	label	L1 mm	L2 mm
73100DD0	20/20	36	36