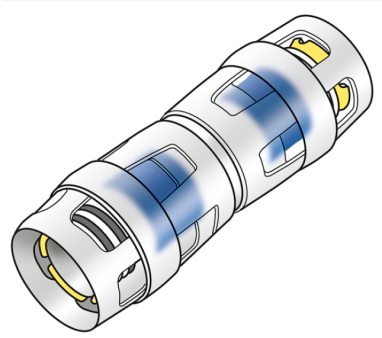


# KELOX

## KMP410 KELOX-PROTEC coupling 32/32

73100FF0

### Areas of application



?Plug-in coupling equal or reduced, made of non-porous metallized brass, incl. support sleeves, O-rings, withdrawal barriers and a protector ring as an insertion locking device

### Approvals:



# Specifications

## Article information

port 1	Plug-in
port 2	Plug-in
execution	Miscellaneous
design	Straight

## Product information

VPE1	10 SA1
VPE2	60 KT1
weight	0,15 KGM
text	KELOX-PROTEC coupling
INTRNR	74122000
main material group	KELOX
material group	KELOX-PROtec pushfittings
code	KMP410



Art. No	label	L1 mm	L2 mm	z1 mm	z2 mm
73100FF0	32/32	42.5	42.5	3.5	3.5