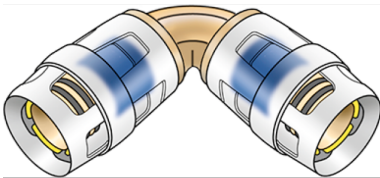


KELOX

KMP420Z ?KELOX-PROTEC zeta elbow 90° 16

73104BB0

Areas of application



?Zeta value-optimised push-in elbow 90°, made of dezincification-resistant brass (DZR), incl. support sleeves, O-rings, withdrawal barriers and a protector ring as an insertion locking device

Approvals:



KE KELIT GmbH

A 4020 Linz, Ignaz-Mayer-Straße 17, Austria, Europe

PHONE +43 (0) 50 779 E-MAIL office@kekelit.com

www.kekelit.com

Specifications

Article information

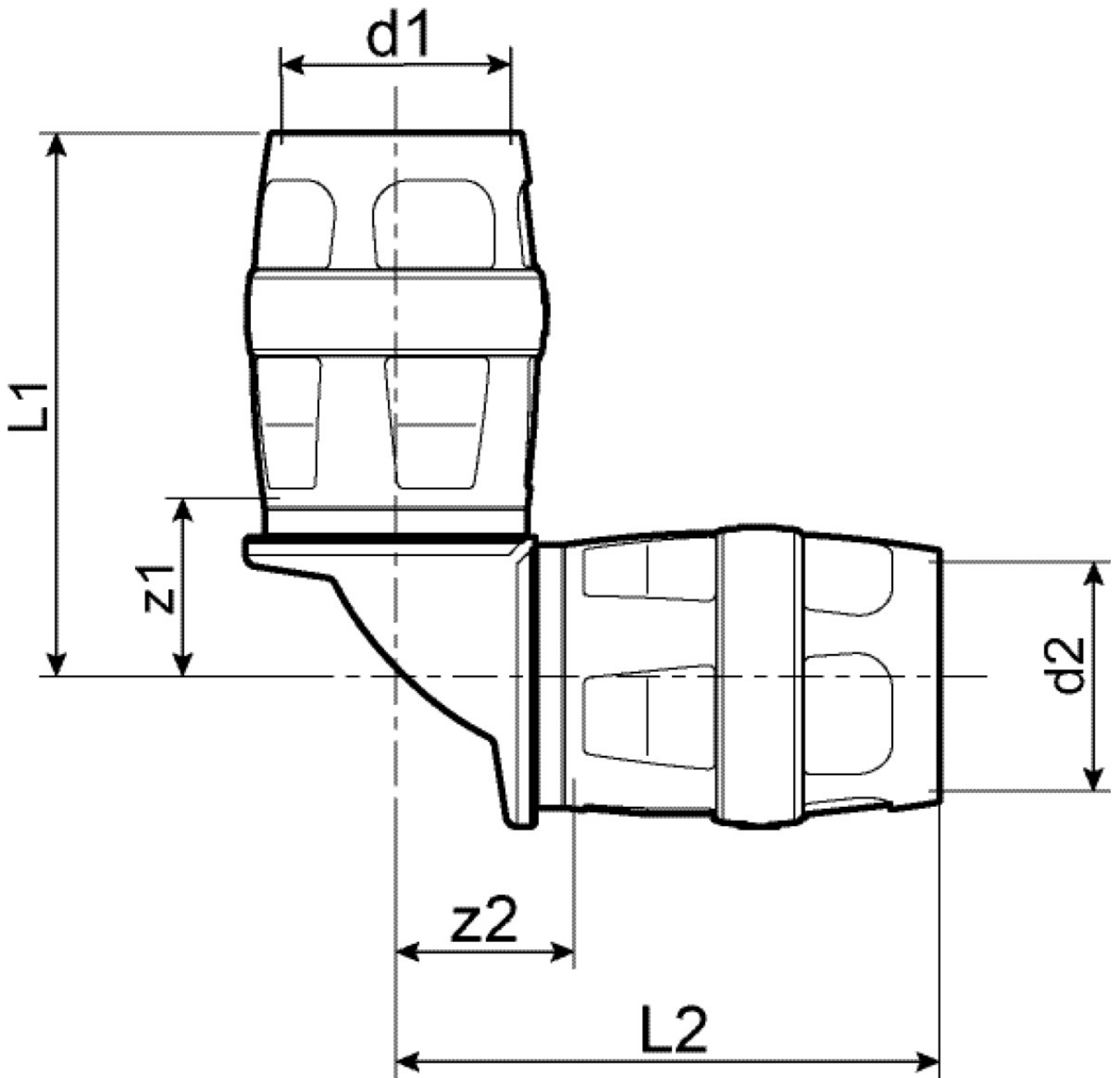
port 1	Plug-in
port 2	Plug-in
execution	Miscellaneous
design	Knee
angle	90 °

Technical properties

maximum working pressure at 20 ° C	10 bar
------------------------------------	--------

Product information

VPE1	10,00 SA1
VPE2	130,00 KT1
weight	0,085 KGM
text	?KELOX-PROTEC zeta elbow 90°
INTRNR	74122000
main material group	KELOX
material group	KELOX-PROtec pushfittings
code	KMP420Z



Art. No	label	d1 mm	d2 mm	L1 mm	L2 mm	z1 mm	z2 mm
73104BB0	16	16	16	47	47	14	14