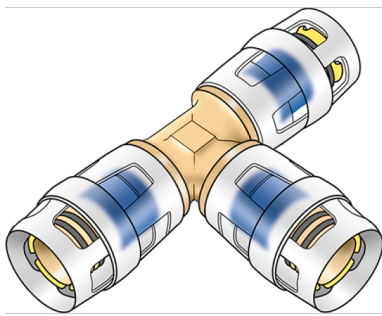


# KELOX

## KMP440 ?KELOX-PROTEC tee piece 20/20/16

73110DDB

### Areas of application



?Plug-in tee equal or reduced, made of dezincification-resistant brass (DZR), incl. support sleeves, O-rings, pull-out barriers and a protector ring as insertion locking device

### Approvals:



# Specifications

## Article information

|           |           |
|-----------|-----------|
| port 1    | Plug-in   |
| port 2    | Plug-in   |
| port 3    | Plug-in   |
| execution | Tee piece |
| angle     | 90 °      |

## Technical properties

|                                    |        |
|------------------------------------|--------|
| maximum working pressure at 20 ° C | 10 bar |
|------------------------------------|--------|

## Product information

|                     |                           |
|---------------------|---------------------------|
| VPE1                | 10,00 SA1                 |
| VPE2                | 80,00 KT1                 |
| weight              | 0,143 KGM                 |
| text                | ?KELOX-PROTEC tee piece   |
| INTRNR              | 74122000                  |
| main material group | KELOX                     |
| material group      | KELOX-PROtec pushfittings |
| code                | KMP440                    |



| Art. No  | label    | d1 mm | d2 mm | d3 mm | L1 mm | L2 mm | L3 mm | z1 mm | z2 mm | z3 mm |
|----------|----------|-------|-------|-------|-------|-------|-------|-------|-------|-------|
| 73110DDf | 20/20/16 | 20    | 20    | 16    | 48,5  | 48,5  | 48,5  | 15,5  | 15,5  | 15,5  |