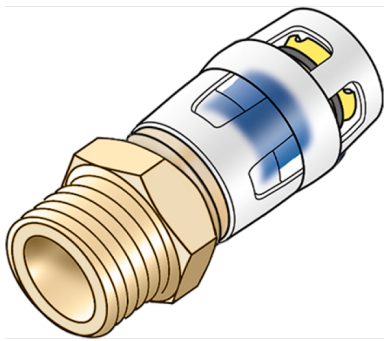


# KELOX

## KMP450 KELOX-PROTEC adapter with male thread 16x1/2"

73202B02

### Areas of application



Plug-in adapter with male thread for sealing, made of dezincification-resistant brass (DZR), incl. support sleeves, O-rings, withdrawal barriers and a protector ring as an insertion locking device

### Approvals:



# Specifications

## Article information

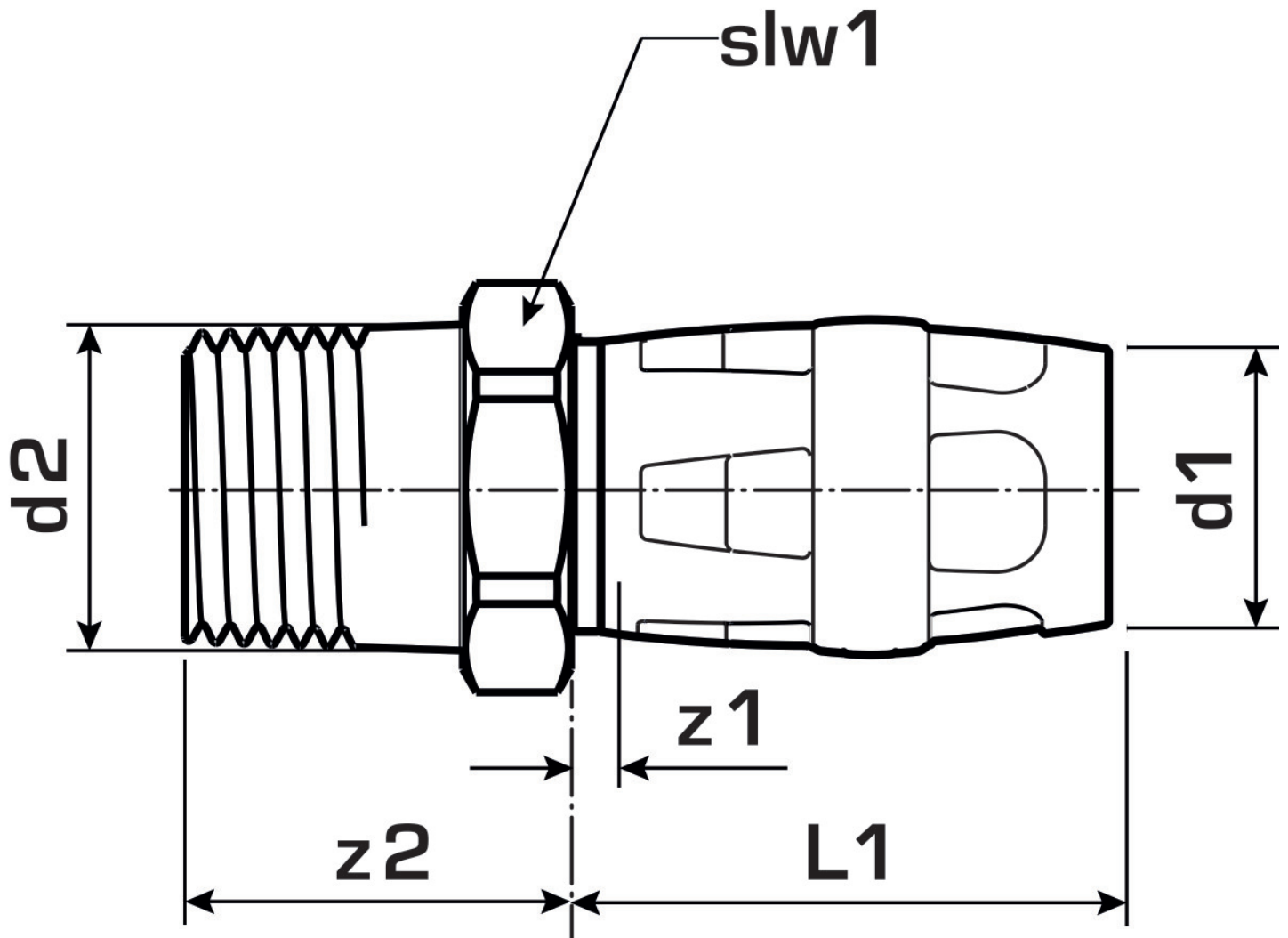
port 1	Plug-in
port 2	Female thread cylindrical BSPT-Rp (ISO 7-1)
execution	Miscellaneous
design	Straight

## Technical properties

maximum working pressure at 20 ° C	10 bar
------------------------------------	--------

## Product information

VPE1	10,00 SA1
VPE2	180,00 KT1
weight	0,072 KGM
text	?KELOX-PROTEC adapter with male thread
INTRNR	74122000
main material group	KELOX
material group	KELOX-PROtec pushfittings
code	KMP450



Art. No	label	d2	d1 mm	L1 mm	z1 mm	z2 mm	slw1 mm
73202B02	16x1/2"	1/2" (15)	16	28	3	33	24