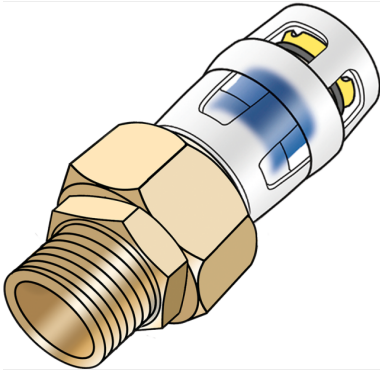


KELOX

KMP451 KELOX-PROTEC union with male thread 20x3/4"

73241D04

Areas of application



Plug-in union with male thread made from stainless steel, thread as per ÖNORM EN 10226, for connecting to fittings, made of dezincification-resistant brass (DZR), including push-on sleeve made of transparent polyamide, O-rings, withdrawal barriers and a protector ring as an insertion locking device; flat-sealing including seal

Approvals:



Specifications

Article information

| | |
|--------|--------------------|
| port 1 | Plug-in |
| port 2 | Male thread metric |
| design | Miscellaneous |

Technical properties

| | |
|------------------------------------|--------|
| maximum working pressure at 20 ° C | 10 bar |
|------------------------------------|--------|

Product information

| | |
|---------------------|-------------------------------------|
| VPE1 | 10,00 SA1 |
| VPE2 | 100,00 KT1 |
| weight | 0,185 KGM |
| text | KELOX-PROTEC union with male thread |
| INTRNR | 74122000 |
| main material group | KELOX |
| material group | KELOX-PROtec pushfittings |
| code | KMP451 |



| Art. No | label | d1 mm | L1 mm | z1 mm | z2 mm | slw1 mm |
|----------|---------|-------|-------|-------|-------|---------|
| 73241D04 | 20x3/4" | 20 | 50,5 | 14,5 | 36 | 30 |