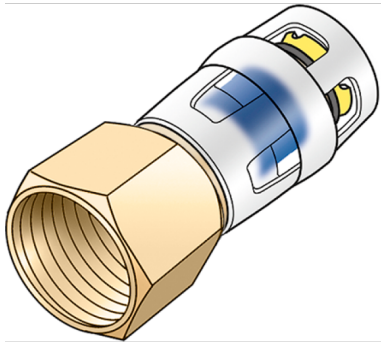


# KELOX

## KMP457 KELOX-PROTEC adapter with female thread 20x1/2"

73206D02

### Areas of application



Plug-in adapter with female thread, made of dezincification-resistant brass (DZR); support sleeves, O-rings, withdrawal barriers and protector ring as insertion locking device  
DO NOT screw in any threaded pipes and cast iron fittings!

### Approvals:



# Specifications

## Article information

port 1	Plug-in
port 2	Female thread cylindrical BSPT-Rp (ISO 7-1)
design	Straight

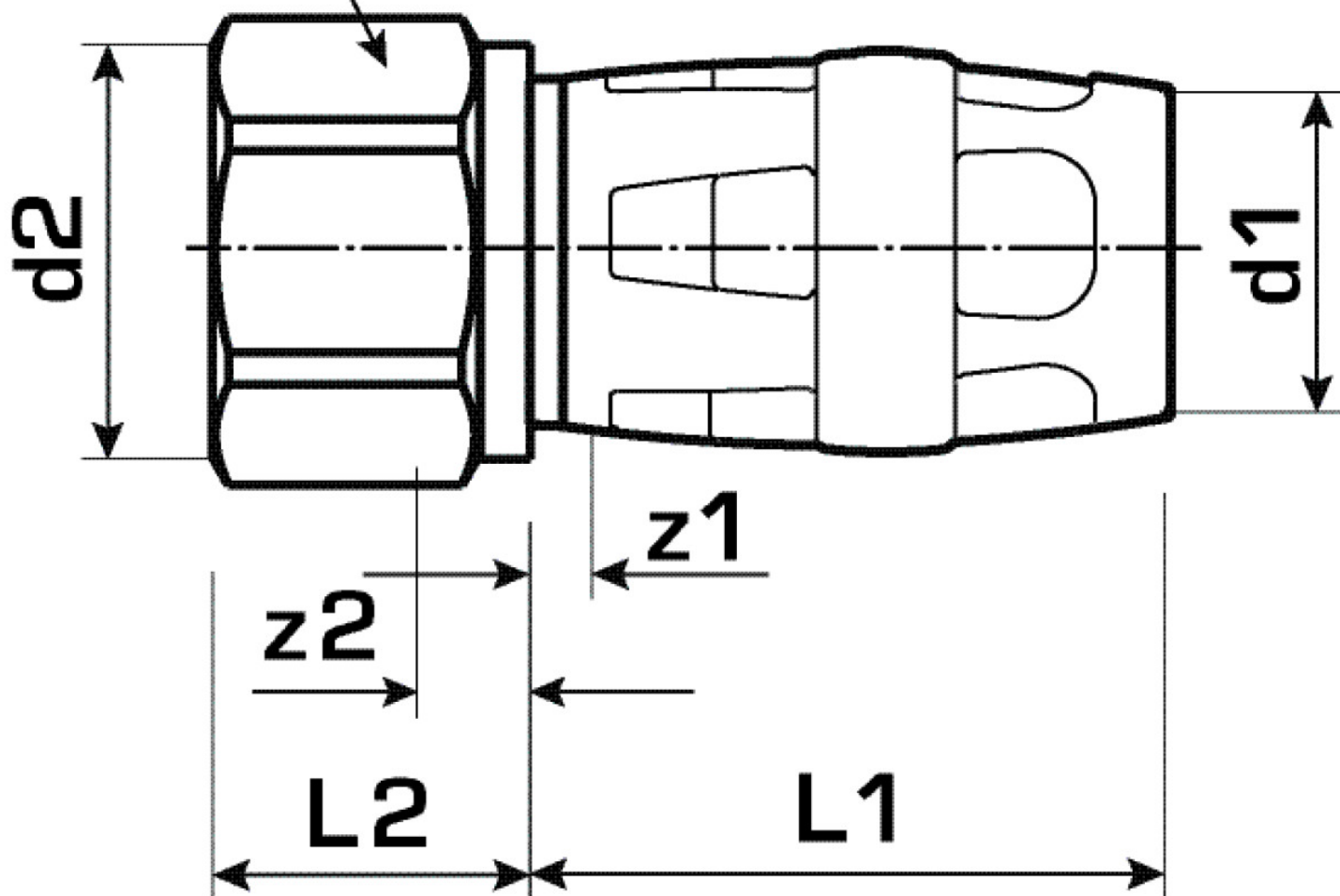
## Technical properties

maximum working pressure at 20 ° C	10 bar
------------------------------------	--------

## Product information

VPE1	10,00 SA1
VPE2	180,00 KT1
weight	0,078 KGM
text	?KELOX-PROTEC adapter with female thread
INTRNR	74122000
main material group	KELOX
material group	KELOX-PROtec pushfittings
code	KMP457

slw2



Art. No	label	d1 mm	L1 mm	L2 mm	z1 mm	z2 mm	slw1 mm
73206D02	20x1/2"	20	36	18,5	3	6,5	24