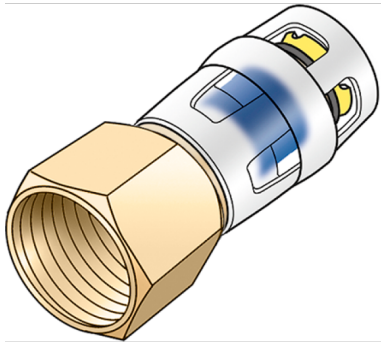


KELOX

KMP457 KELOX-PROTEC adapter with female thread 25x1"

73206E05

Areas of application



Plug-in adapter with female thread, made of dezincification-resistant brass (DZR); support sleeves, O-rings, withdrawal barriers and protector ring as insertion locking device
DO NOT screw in any threaded pipes and cast iron fittings!

Approvals:



Specifications

Article information

| | |
|--------|---|
| port 1 | Plug-in |
| port 2 | Female thread cylindrical BSPT-Rp (ISO 7-1) |
| design | Straight |

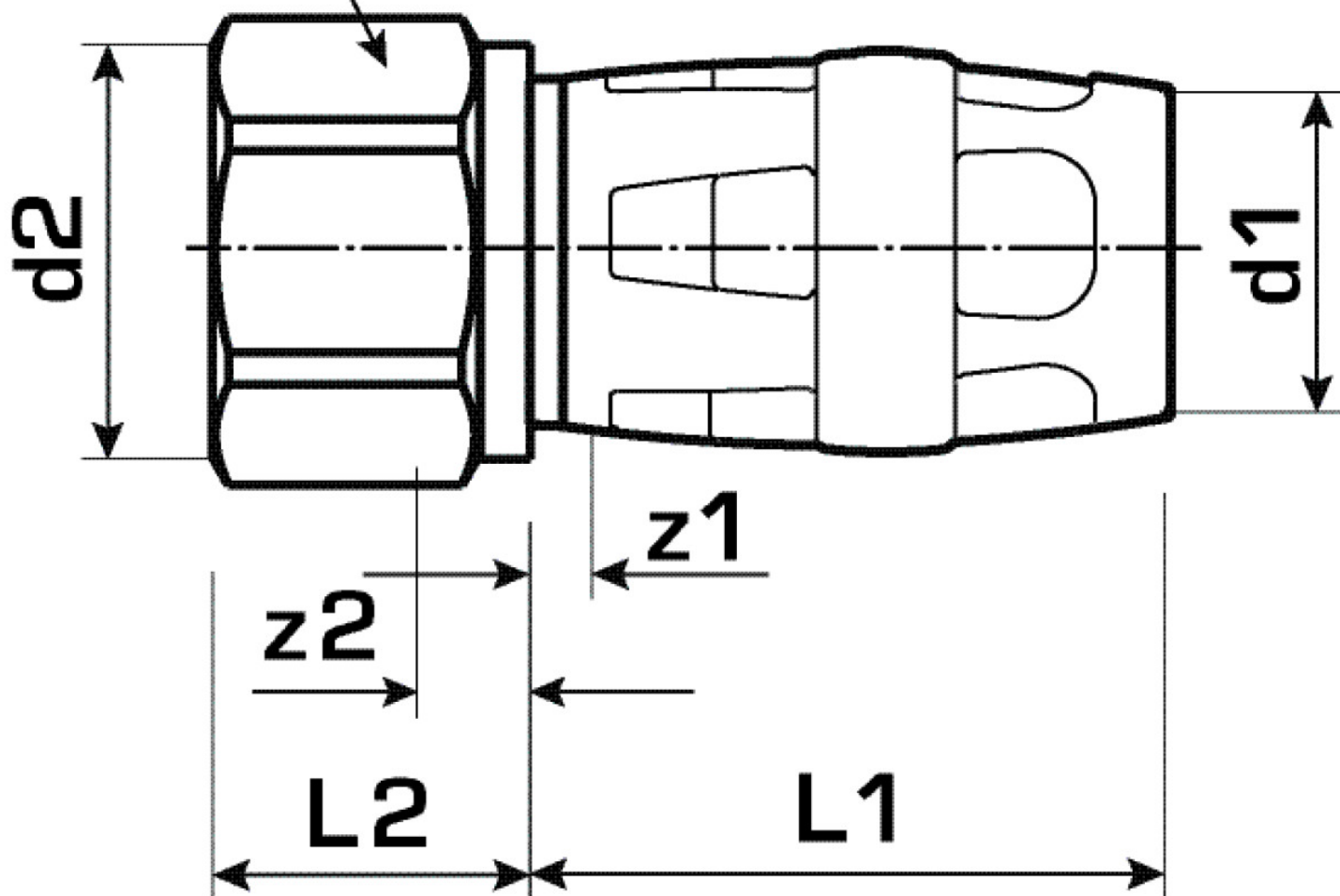
Technical properties

| | |
|------------------------------------|--------|
| maximum working pressure at 20 ° C | 10 bar |
|------------------------------------|--------|

Product information

| | |
|---------------------|--|
| VPE1 | 10,00 SA1 |
| VPE2 | 80,00 KT1 |
| weight | 0,182 KGM |
| text | ?KELOX-PROTEC adapter with female thread |
| INTRNR | 74122000 |
| main material group | KELOX |
| material group | KELOX-PROtec pushfittings |
| code | KMP457 |

slw2



| Art. No | label | d1 mm | L1 mm | L2 mm | z1 mm | z2 mm | slw1 mm |
|----------|-------|-------|-------|-------|-------|-------|---------|
| 73206E05 | 25x1" | 25 | 42,5 | 19,5 | 3,5 | 6,5 | 32 |