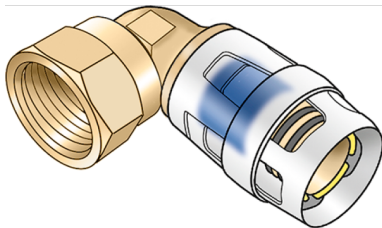


KELOX

KMP467 KELOX-PROTEC elbow adapter 90° female 32x1"

73216F05

Areas of application



Plug-in elbow adapter with female thread, made of dezincification-resistant brass (DZR); support sleeves, O-rings, withdrawal barriers and protector ring as insertion locking device
DO NOT screw in any threaded pipes and cast iron fittings!

Approvals:



KE KELIT GmbH

A 4020 Linz, Ignaz-Mayer-Straße 17, Austria, Europe

PHONE +43 (0) 50 779 E-MAIL office@kekelit.com

www.kekelit.com

Specifications

Article information

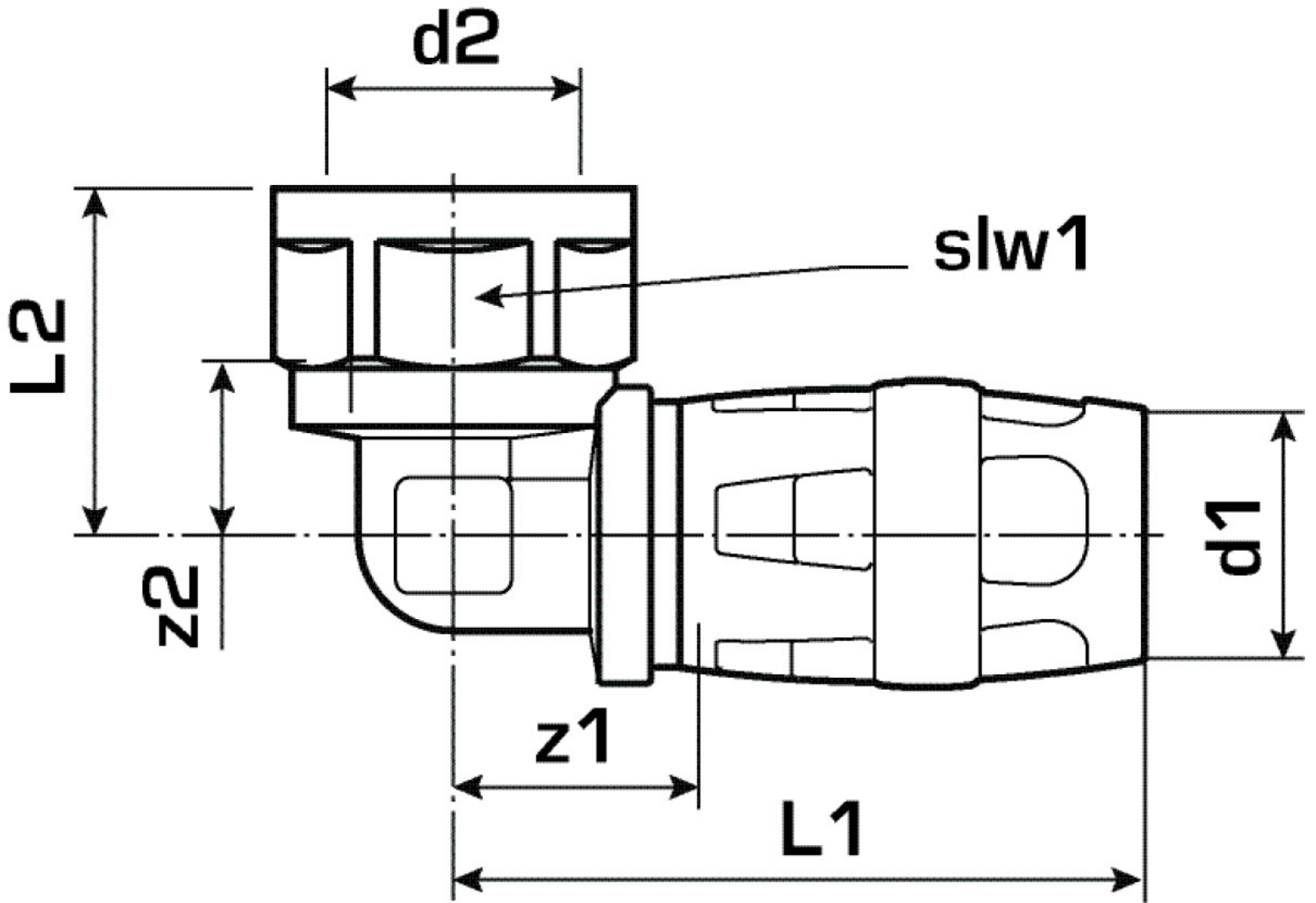
| | |
|--------|---|
| port 1 | Plug-in |
| port 2 | Female thread cylindrical BSPT-Rp (ISO 7-1) |
| design | Knee |
| angle | 90 ° |

Technical properties

| | |
|------------------------------------|--------|
| maximum working pressure at 20 ° C | 10 bar |
|------------------------------------|--------|

Product information

| | |
|---------------------|---------------------------------------|
| VPE1 | 6,00 SA1 |
| VPE2 | 48,00 KT1 |
| weight | 0,285 KGM |
| text | KELOX-PROTEC elbow adapter 90° female |
| INTRNR | 74122000 |
| main material group | KELOX |
| material group | KELOX-PROtec pushfittings |
| code | KMP467 |



| Art. No | label | d1 mm | L1 mm | L2 mm | z1 mm | z2 mm | slw1 mm |
|----------|-------|-------|-------|-------|-------|-------|---------|
| 73216F05 | 32x1" | 32 | 65 | 41,5 | 26 | 22 | 38 |