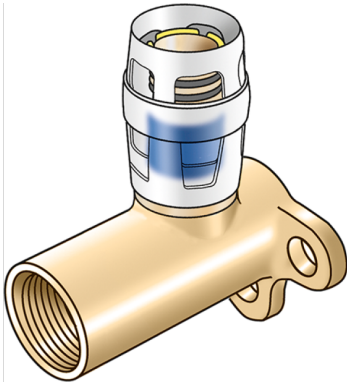


# KELOX

## KMP480L KELOX-PROTEC wall bracket fitting with female thread 20mm 20x1/2"

73251D02

### Areas of application



Plug-in wall bracket fitting with female thread extended by 20mm, made of dezincification-resistant brass (DZR), including support sleeves,

O-rings, withdrawal barriers and protector ring as insertion locking device

Overall height: 1/2" - 66mm

DO NOT screw in threaded pipes and cast iron fittings!

## Approvals:



# Specifications

## Article information

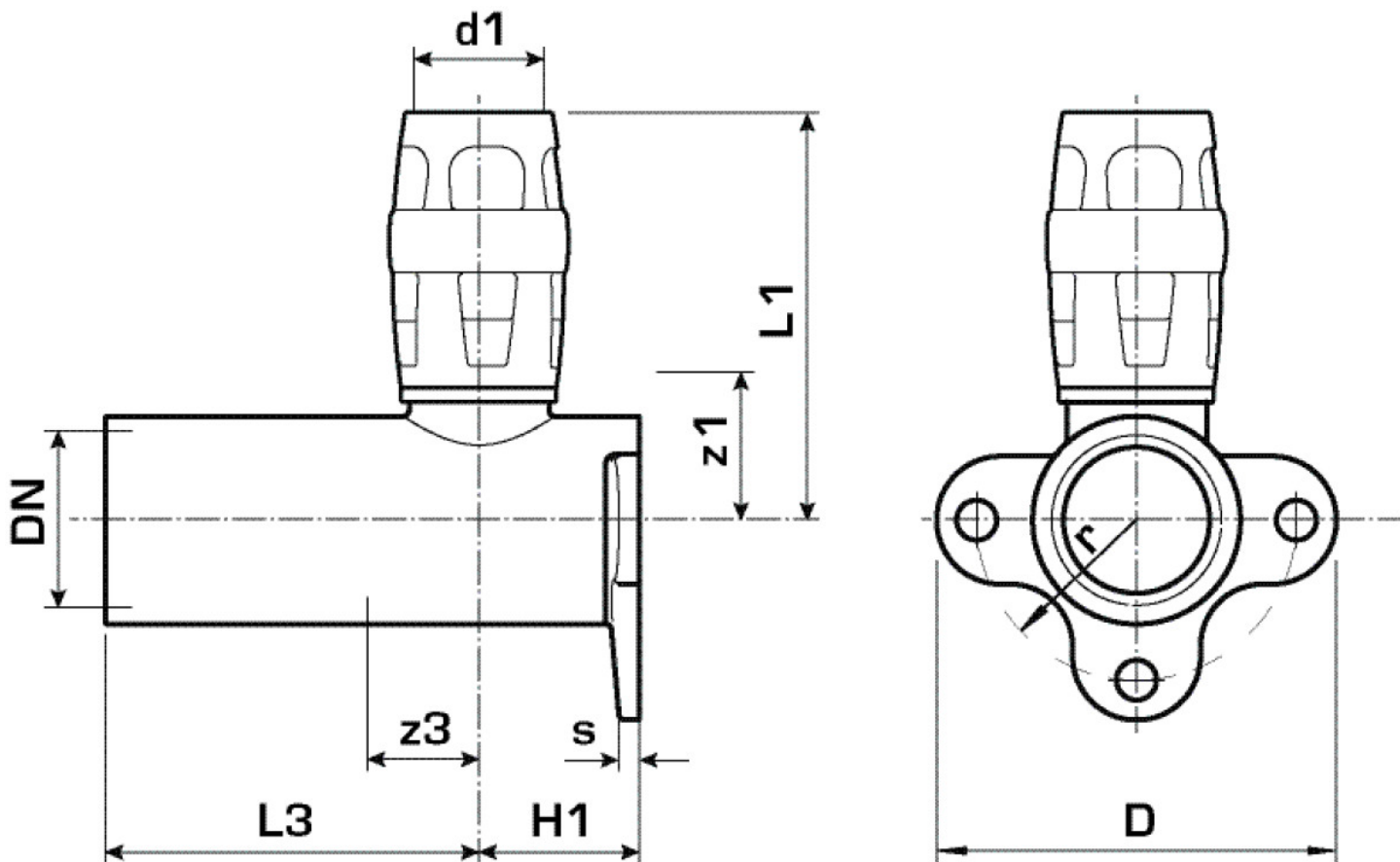
port 1	Plug-in
port 2	Female thread metric
execution	Miscellaneous
design	Continuously right-angled

## Technical properties

maximum working pressure at 20 ° C	10 bar
------------------------------------	--------

## Product information

VPE1	10,00 SA1
VPE2	60,00 KT1
weight	0,173 KGM
text	KELOX-PROTEC wall bracket fitting with female thread 20mm
INTRNR	74122000
main material group	KELOX
material group	KELOX-PROtec pushfittings
code	KMP480L



Art. No	label	d1 mm	d2	d1 mm	L1 mm	L3 mm	z1	z2	z1 mm	z3 mm
73251D02	20x1/2"	20	26.5	20	46	53	18	10	11	18