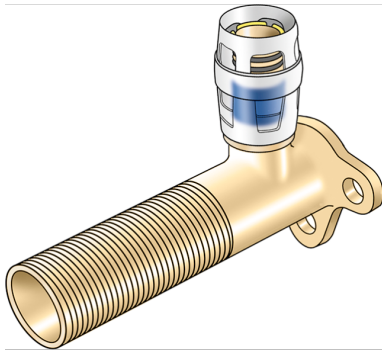


# KELOX

KMP481L KELOX-PROTEC wall bracket fitting  
90° with 80mm male thread 20x1/2"x80

73257D02

## Areas of application



Plug-in wall bracket fitting with 80 mm male thread, made of dezincification-resistant brass (DZR),  
incl. support sleeves, O-rings, withdrawal barriers and protector rings as insertion locking device  
Overall height: 1/2" - 115mm

## Approvals:



KE KELIT GmbH

A 4020 Linz, Ignaz-Mayer-Straße 17, Austria, Europe

PHONE +43 (0) 50 779 E-MAIL [office@kekelit.com](mailto:office@kekelit.com)

[www.kekelit.com](http://www.kekelit.com)

# Specifications

## Article information

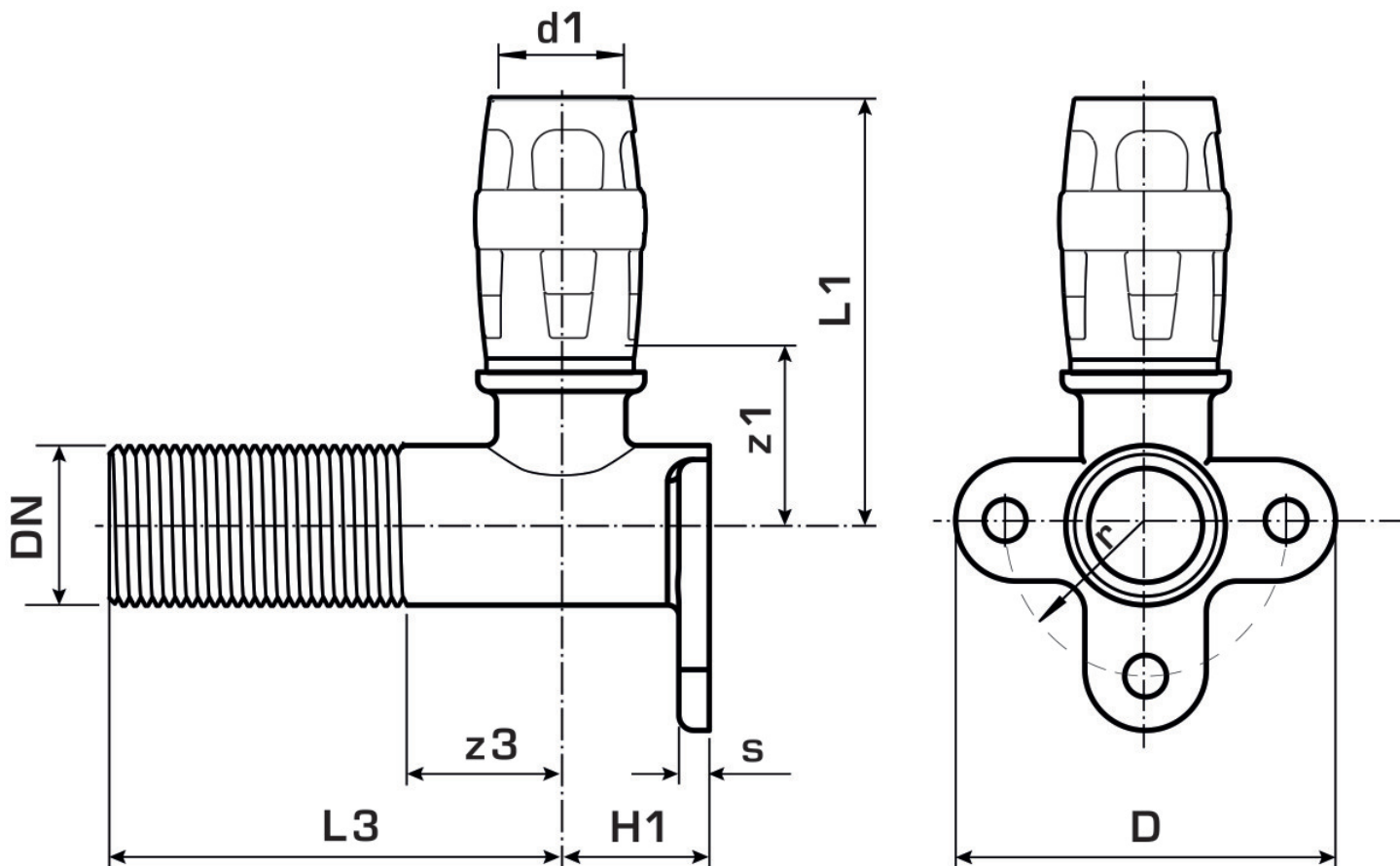
<b>port 1</b>	Einsteck (Push-Fitting)
<b>design</b>	Continuously right-angled

## Technical properties

<b>maximum working pressure at 20 ° C</b>	10 bar
---	--------

## Product information

<b>VPE1</b>	10,00 SA1
<b>VPE2</b>	40,00 KT1
<b>weight</b>	0,201 KGM
<b>text</b>	KELOX-PROTEC wall bracket fitting 90° with 80mm male thread
<b>INTRNR</b>	74122000
<b>main material group</b>	KELOX
<b>material group</b>	KELOX-PROtec pushfittings
<b>code</b>	KMP481L



Art. No	label	d1 mm	L1 mm	L3 mm	z1 mm	z3 mm
73257D02	20x1/2"x80	20	56,5	78,5	23,5	11,5