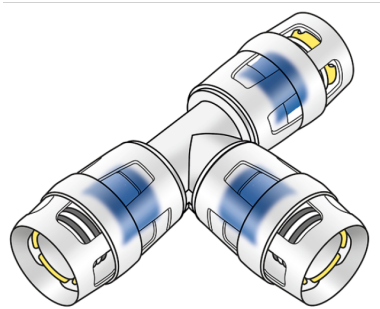


# KELOX

## KWP440 ?KELOX-PROTEC PPSU tee 25/25/25

73610EEE

### Areas of application



?Push-in tee equal or reduced, made of PPSU, incl. push-on sleeve made of transparent polyamide, O-rings, pull-out barriers and a protector ring as an insertion locking device

### Approvals:



# Specifications

## Article information

port 1	Plug-in
port 2	Plug-in
port 3	Plug-in
execution	Tee piece
angle	90 °

## Technical properties

maximum working pressure at 20 ° C	10 bar
------------------------------------	--------

## Product information

VPE1	4,00 SA1
VPE2	40,00 KT1
weight	0,068 KGM
text	?KELOX-PROTEC PPSU tee
INTRNR	39174000
main material group	KELOX
material group	KELOX-PROtec-PPSU pushfittings
code	KWP440



Art. No	label	d1 mm	d2 mm	d3 mm	L1 mm	L2 mm	L3 mm	z1 mm	z2 mm	z3 mm
73610EEE	25/25/25	25	25	25	58	60	58	21	23	21