

KELOX

KWP450 KELOX-PROTEC PPSU adapter with male thread 20x3/4"

73702D04

Areas of application



Push-in adapter with male thread for sealing with hemp, made of PPSU, incl. push-on sleeve made of transparent polyamide, O-rings, withdrawal barriers and protector ring as an insertion locking device

Do NOT use liquid sealants or thread sealing tape!

Approvals:



Specifications

Article information

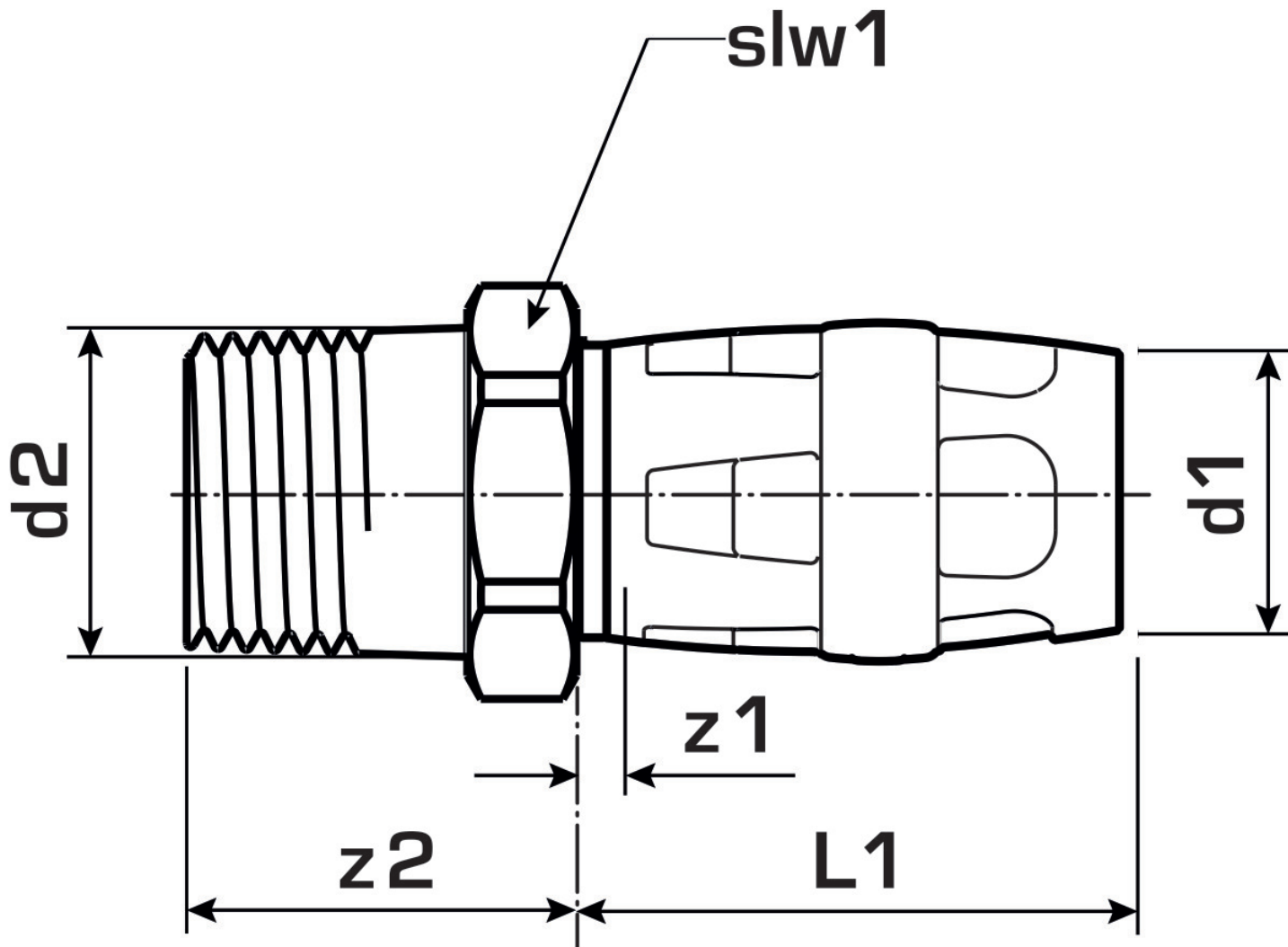
| | |
|-----------|---------------|
| port 1 | Plug-in |
| execution | Miscellaneous |
| design | Straight |

Technical properties

| | |
|------------------------------------|--------|
| maximum working pressure at 20 ° C | 10 bar |
|------------------------------------|--------|

Product information

| | |
|---------------------|---|
| VPE1 | 10,00 SA1 |
| VPE2 | 130,00 KT1 |
| weight | 0,032 KGM |
| text | ?KELOX-PROTEC PPSU adapter with male thread |
| INTRNR | 39174000 |
| main material group | KELOX |
| material group | KELOX-PROtec-PPSU pushfittings |
| code | KWP450 |



| Art. No | label | d2 Inches | d1 mm | L1 mm | z1 mm | z2 mm | slw1 mm |
|----------|---------|-----------|-------|-------|-------|-------|---------|
| 73702D04 | 20x3/4" | 3/4" (20) | 20 | 33 | 3 | 33 | 30 |