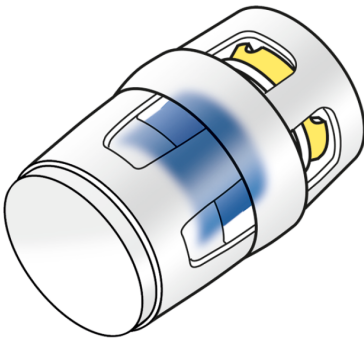


KELOX

KWP471 KELOX-PROTEC PPSU end cap 20

73620D00

Areas of application



End cap made from PPSU, including support sleeves, O-rings, withdrawal barriers and a protector ring as an insertion locking device

Approvals:



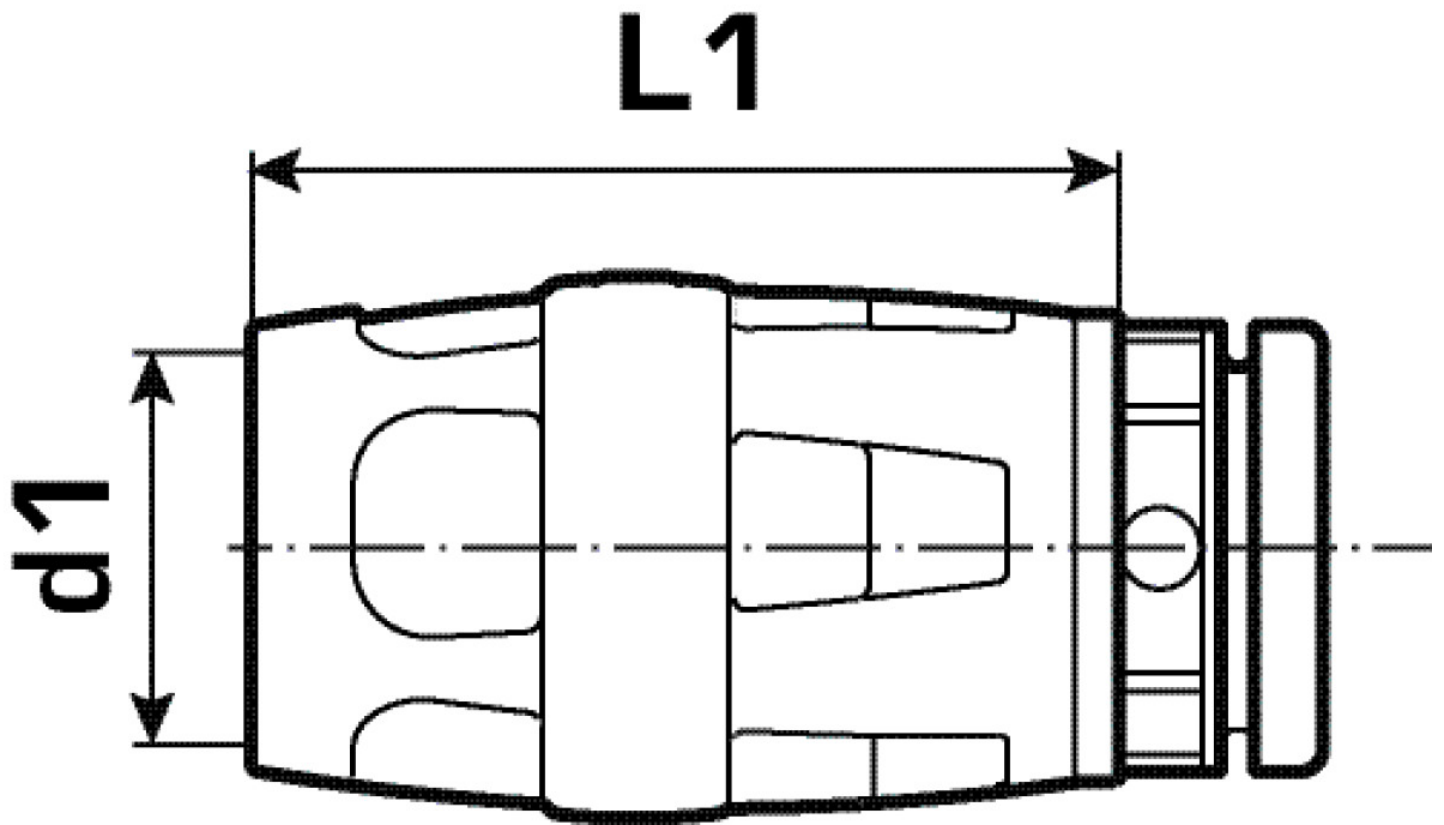
Specifications

Article information

port 1 Plug-in

Product information

VPE1	10,00 SA1
VPE2	140,00 KT1
weight	0,025 KGM
text	KELOX-PROTEC PPSU end cap
INTRNR	39174000
main material group	KELOX
material group	KELOX-PROtec-PPSU pushfittings
code	KWP471



Art. No	label	d1 mm	L1 mm
73620D00	20	20	36