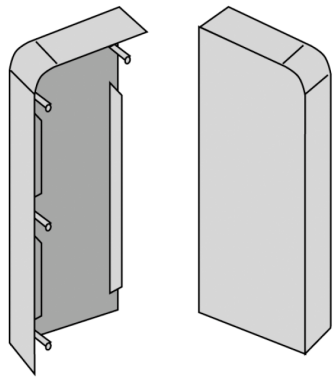


# KELOX<sup>SL</sup>

KM819 KELOX SB left end piece 28 mm White

6405440

## Areas of application



For covering open skirting board ends, made from polystyrene coated with embossed foil, 28mm

# Specifications

Product information	
VPE1	10,00 SA1
weight	0,014 KGM
text	KELOX SB left end piece 28 mm
INTRNR	39203000
main material group	KELOX SL
material group	KELOX SL skirting boards and accessoriess
code	KM819

Art. No	label
6405440	White