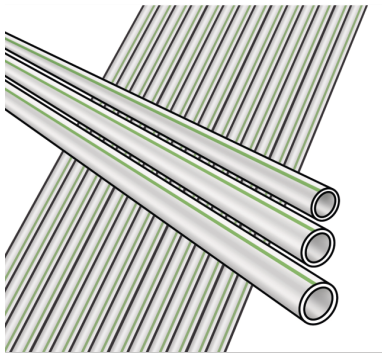


STEELOX

SMX110 STEELOX multilayer composite pipe 20x2.25 / 5m

57005D00

Areas of application



STEELOX pipe conforming to ÖNORM B 5175, oxygen- and steam diffusion-tight multi-layer composite pipe made of stainless steel/PE-RT

Classification of operating conditions as per ÖNORM B 5175 - Class 2:

70°C/10 bar, max. operating temperature up to 80°C - accident temperature 100°C (max. 100h)

Colour: silver with green longitudinal stripes

Rod length: 5m

Approvals:



Specifications

Article information

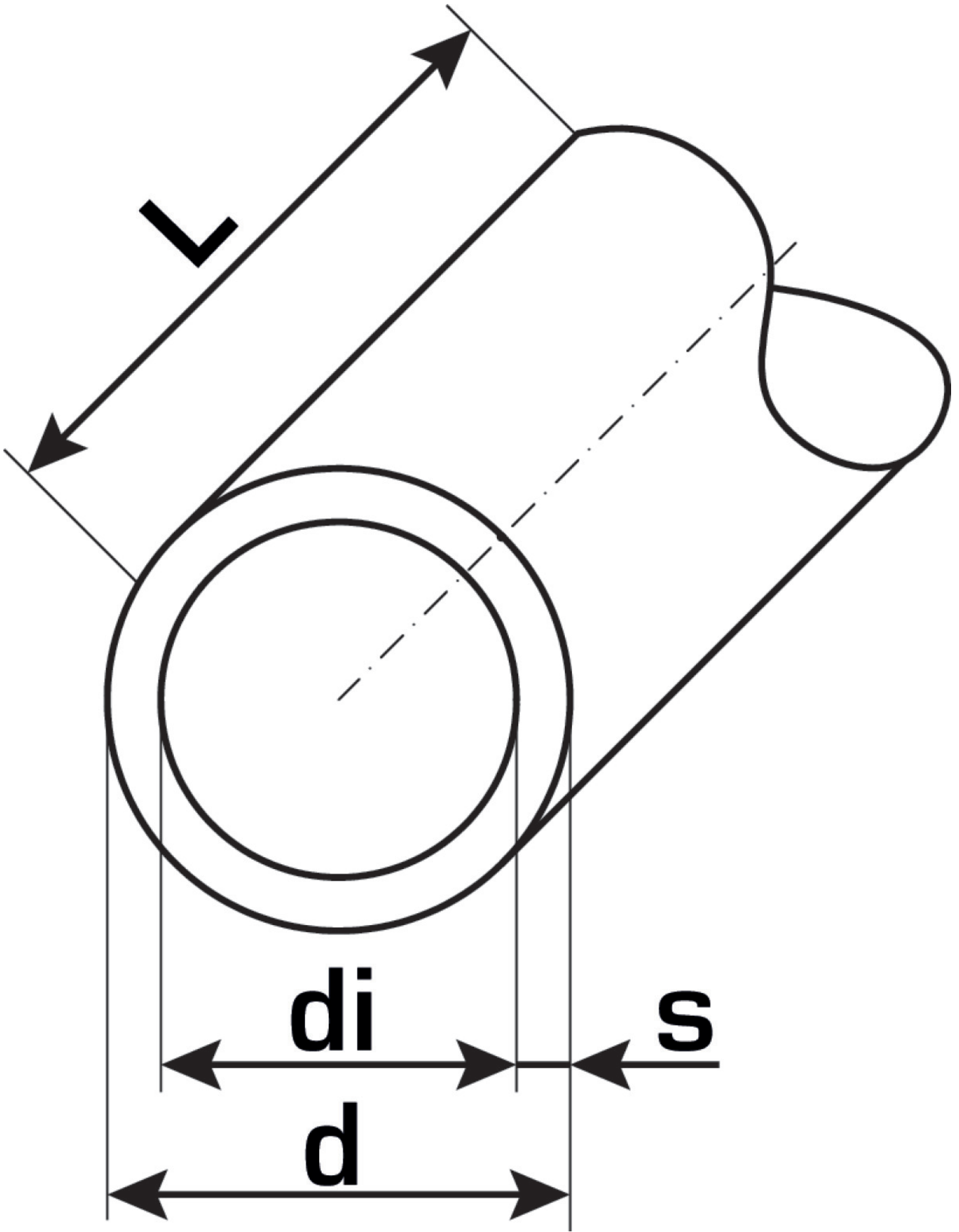
color	Silver with green longitudinal stripes
flexible	Yes
trade length	5 m
isolation	No

Technical properties

maximum working pressure at 20 ° C	10 bar
pipe weight	0.15 kg/m
pipe contents	0.189 l/m
lambda pipe	0.45 W/(m.K)
wall rawness	0.01
expansion coefficient	0.045 mm/(m.K)

Product information

VPE1	75 BND
VPE2	2475 HOB
L	5 m
weight	0,15 KGM
text	STEELOX multilayer composite pipe
INTRNR	39173900
code	SMX110



Art. No	label	d1	pipe contents l/m	s
57005D00	20x2.25 / 5m	20	0.189	2.25



KE KELIT GmbH

A 4020 Linz, Ignaz-Mayer-Straße 17, Austria, Europe

PHONE +43 (0) 50 779 **E-MAIL** office@kekelit.com

www.kekelit.com